

Fastening Technology / Blind Rivets

# Magna-Lok<sup>®</sup> Blind Rivets





# Contents

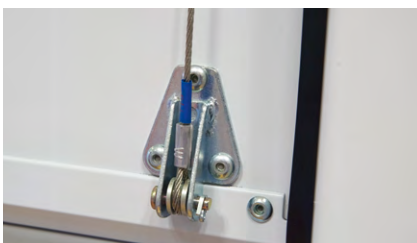
			Page
Magna-Lok® blind rivets	Overview		5
	Truss head	Steel/steel	6
	Large truss head	Steel/steel	7
	Countersunk 100°	Steel/steel	8
	Truss head	Aluminium/aluminium	9
	Large truss head	Aluminium/aluminium	10
	Countersunk 100°	Aluminium/aluminium	11
	Truss head	Stainless steel A2/stainless steel A2	12
	Countersunk 100°	Stainless steel A2/stainless steel A2	13



# Magna-Lok® blind rivets



The Magna-Lok® is a high-strength blind rivet that remains snug even under dynamic load. Holes can be prepared to ensure joints are water and airtight. The mandrel always breaks flush, even when materials of varying strengths and thicknesses are present within the grip range. The blind-side footprint is minimal. The grip range is large.



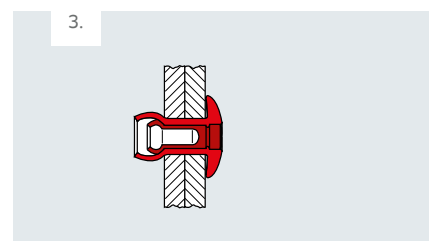
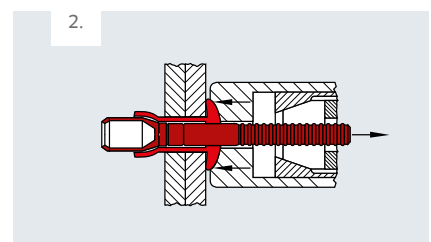
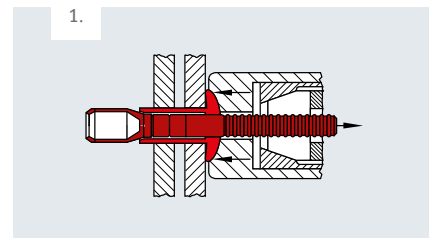
## Applications

- General industry
- Automotive industry
- Construction industry
- Bodywork and vehicle manufacture



## Benefits at a glance

- Universal use
- The mandrel draws itself into the sleeve, causing the sleeve to widen and completely fill the bore hole; ideal for dynamic loads.
- Mandrel always breaks off flush at the snap head
- Large grip range
- The securely fitting mandrel makes for vibration-resistant applications
- Combines various materials such as metals and plastics
- Quick and secure installation
- Permanent secure fixing
- Heatless installation means component will not warp.
- Eliminates extensive refinishing



# Magna-Lok® blind rivets

## Truss head

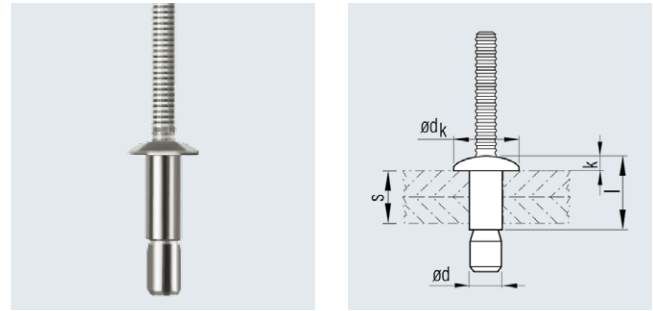
### Material

#### Sleeve

Steel SAE 1006/1020M,  
galvanised, chromated

#### Mandrel

Steel AISI 10B21,  
galvanised, chromated



Nominal $\varnothing$ d [mm]	Bore $\varnothing$ [mm]	Grip range s [mm]	Blind sleeve l $\pm 0.3$ [mm]	Blind rivet head		Nominal strength at break*		Article No.
				$\varnothing$ dk $\pm 0.4$ [mm]	Height k $\pm 0.3$ [mm]	Shear N	Tensile N	
4.8	4.9 - 5.1	1.6 - 6.9	10.5	9.6	2.1	5780	4440	415 810 900
		5.4 - 11.1	14.5	9.6	2.1	5780	4440	415 811 900
		1.6 - 11.1	14.5	9.6	2.1	5780	4440	415 812 900
6.4	6.6 - 6.9	2.0 - 9.5	14.2	13.0	2.8	10790	8220	415 820 900
		8.9 - 15.9	20.5	13.0	2.8	10790	8220	415 821 900
		2.0 - 15.9	20.5	13.0	2.8	10790	8220	415 822 900
9.8	10.0 - 10.4	3.0 - 14.2	21.3	19.6	4.5	26680	17790	415 890 900
		15.8 - 28.5	35.4	19.6	4.5	26680	17790	415 891 900

\* Strengths at break relate to rivet failure.

Other designs available on request.

# Magna-Lok® blind rivets

## Large truss head

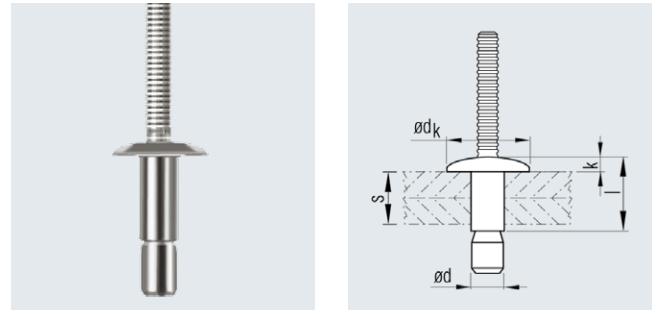
### Material

#### Sleeve

Steel SAE 1006/1020M,  
galvanised, chromated

#### Mandrel

Steel AISI 10B21,  
galvanised, chromated



Nominal $\varnothing$ d [mm]	Bore $\varnothing$ [mm]	Grip range s [mm]	Blind sleeve l $\pm 0.3$ [mm]	Blind rivet head		Nominal strength at break*		Article No.
				$\varnothing$ dk $\pm 0.5$ [mm]	Height k $\pm 0.3$ [mm]	Shear N	Tensile N	
4.8	4.9 - 5.1	1.6 - 6.8	10.5	13.0	2.2	5780	4440	415 815 900
		5.4 - 11.1	14.5	13.0	2.2	5780	4440	415 816 900
6.4	6.6 - 6.9	2.0 - 9.5	14.2	14.5	3.0	10790	8220	415 825 900

\* Strengths at break relate to rivet failure.

Other designs available on request.

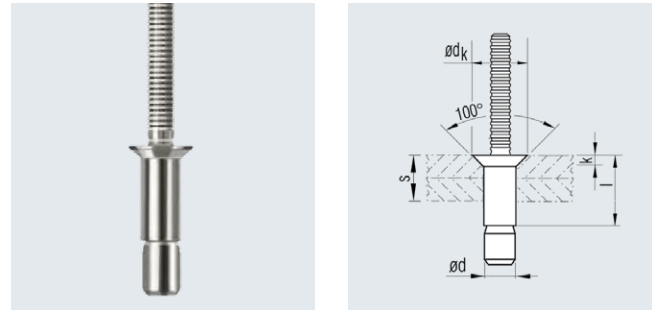
# Magna-Lok® blind rivets

## Countersunk 100°

### Material

**Sleeve**  
Steel SAE 1006/1020M,  
galvanised, chromated

**Mandrel**  
Steel AISI 10B21,  
galvanised, chromated



Nominal ø d [mm]	Bore ø [mm]	Grip range s [mm]	Blind sleeve l ±0.3 [mm]	Blind rivet head		Nominal strength at break*		Article No.
				ø dk ±0.4 [mm]	Height k ±0.3 [mm]	Shear N	Tensile N	
4.8	4.9 - 5.1	3.2 - 8.4	12.3	8.6	1.8	5780	4440	415 850 900
		7.8 - 12.7	16.6	8.6	1.8	5780	4440	415 851 900
6.4	6.6 - 6.9	4.1 - 12.1	16.8	10.0	2.0	10790	8220	415 860 900
		10.5 - 18.4	23.1	10.0	2.0	10790	8220	415 861 900

\* Strengths at break relate to rivet failure.

Other designs available on request.



# Magna-Lok® blind rivets

## Truss head

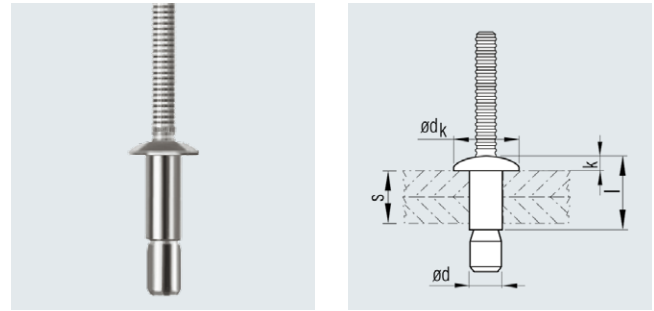
### Material

#### Sleeve

Aluminium AA 5056,  
chromated

#### Mandrel

Aluminium AA 7075,  
chromated



Nominal $\varnothing$ d [mm]	Bore $\varnothing$ [mm]	Grip range s [mm]	Blind sleeve l $\pm 0.3$ [mm]	Blind rivet head		Nominal strength at break*		Article No.
				$\varnothing$ dk $\pm 0.4$ [mm]	Height k $\pm 0.3$ [mm]	Shear N	Tensile N	
4.8	4.9 - 5.1	1.6 - 6.9	10.5	9.6	2.1	2690	2220	415 830 900
		5.4 - 11.1	14.5	9.6	2.1	2690	2220	415 831 900
		1.6 - 11.1	14.5	9.6	2.1	2690	2220	415 832 900
6.4	6.6 - 6.9	2.0 - 9.5	14.2	13.0	2.8	5800	4000	415 840 900
		8.9 - 15.9	20.5	13.0	2.8	5800	4000	415 841 900
		2.0 - 15.9	20.5	13.0	2.8	5800	4000	415 842 900
		14.7 - 22.2	26.9	13.0	2.8	5800	4000	415 946 900
9.5	10.0 - 10.4	3.0 - 14.2	21.3	19.6	4.5	13220	8450	415 895 900

\* Strengths at break relate to rivet failure.

Other designs available on request.

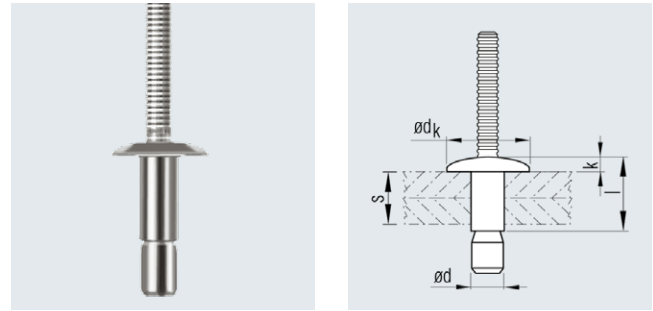
# Magna-Lok® blind rivets

## Large Truss Head

### Material

**Sleeve**  
Aluminium AA 5056,  
chromated

**Mandrel**  
Aluminium AA 7075,  
chromated



Nominal $\varnothing$ d [mm]	Bore $\varnothing$ [mm]	Grip range s [mm]	Blind sleeve l $\pm 0.3$ [mm]	Blind rivet head $\varnothing$ dk $\pm 0.5$ [mm]	Height k $\pm 0.3$ [mm]	Nominal strength at break*		Article No.
						Shear N	Tensile N	
4.8	4.9 - 5.1	5.4 - 11.1	14.5	13.0	2.2	2690	2200	415 836 900

\* Strengths at break relate to rivet failure.

Other designs available on request.

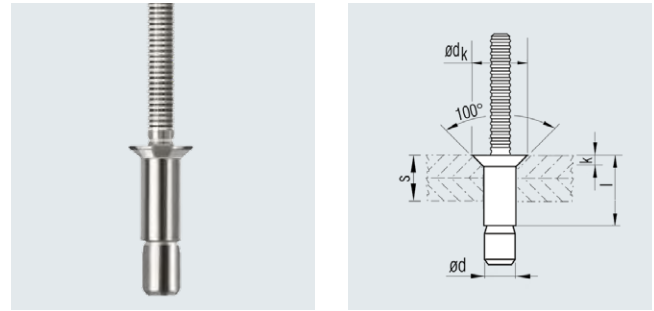
# Magna-Lok® blind rivets

## Countersunk 100°

### Material

**Sleeve**  
Aluminium AA 5056,  
chromated

**Mandrel**  
Aluminium AA 7075,  
chromated



Nominal $\varnothing$ d [mm]	Bore $\varnothing$ [mm]	Grip range s [mm]	Blind sleeve l $\pm 0.3$ [mm]	Blind rivet head		Nominal strength at break*		Article No.
				$\varnothing$ dk $\pm 0.4$ [mm]	Height k $\pm 0.3$ [mm]	Shear N	Tensile N	
4.8	4.9 - 5.1	3.2 - 8.4	12.3	8.6	1.8	2690	2220	415 870 900
		7.8 - 12.7	16.6	8.6	1.8	2690	2220	415 871 000
6.4	6.6 - 6.9	4.1 - 12.1	16.7	10.0	2.0	5800	4000	415 880 900
		10.5 - 18.4	23.1	10.0	2.0	5800	4000	415 881 900

\* Strengths at break relate to rivet failure.

Other designs available on request.

# Magna-Lok® blind rivets

## Truss head

### Material

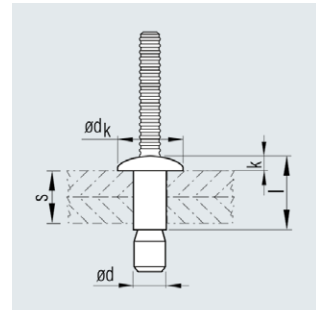
Sleeve

Stainless steel AISI 302/304,  
passivated



Mandrel

Stainless steel AISI 305/304



Nominal $\varnothing$ d [mm]	Bore $\varnothing$ [mm]	Grip range s [mm]	Blind sleeve l $\pm 0.3$ [mm]	Blind rivet head		Nominal strength at break*		Article No.
				$\varnothing$ dk $\pm 0.4$ [mm]	Height k $\pm 0.3$ [mm]	Shear N	Tensile N	
4.8	4.9 - 5.1	1.6 - 6.9	10.5	9.6	2.1	5780	4200	415 910 000
		5.4 - 11.1	14.5	9.6	2.1	5780	4200	415 911 000
6.4	6.6 - 6.9	2.0 - 9.5	14.2	13.0	2.8	10500	8000	415 920 000
		8.9 - 15.9	20.5	13.0	2.8	10500	8000	415 921 000

\* Strengths at break relate to rivet failure.

Other designs available on request.

# Magna-Lok® blind rivets

## Countersunk 100°

### Material

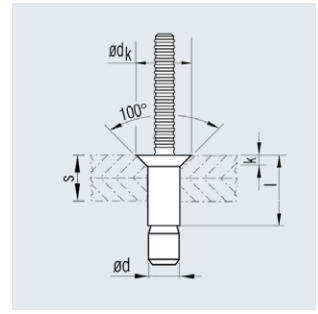
#### Sleeve

Stainless steel AISI 302/304,  
passivated



#### Mandrel

Stainless steel AISI 305/304

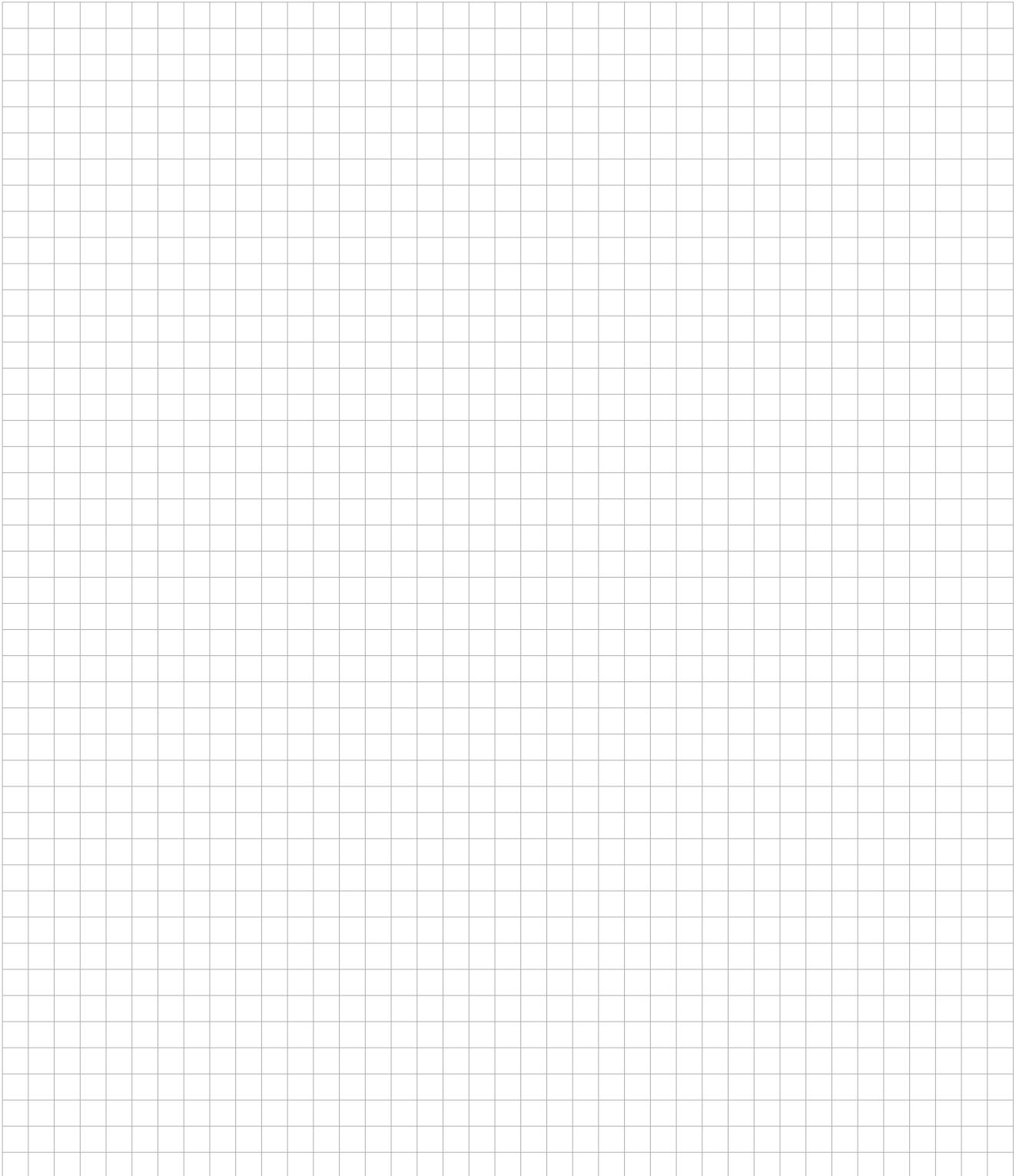


Nominal $\emptyset$ d [mm]	Bore $\emptyset$ [mm]	Grip range s [mm]	Blind sleeve l $\pm 0.3$ [mm]	Blind rivet head		Nominal strength at break*		Article No.
				$\emptyset$ dk $\pm 0.4$ [mm]	Height k $\pm 0.3$ [mm]	Shear N	Tensile N	
4.8	4.9 - 5.1	3.2 - 8.4	12.3	8.6	1.8	5780	4200	415 950 000
		7.8 - 12.7	16.6	8.6	1.8	5780	4200	415 951 000
6.4	6.6 - 6.9	4.1 - 12.1	16.7	10.0	2.0	10500	8000	415 960 000
		10.6 - 18.4	23.0	10.0	2.0	10500	8000	415 961 000

\* Strengths at break relate to rivet failure.

Other designs available on request.

# Notes



**Copyright**

All texts, images, technical documents and other information contained in this catalogue are subject to copyright held by Titgemeyer GmbH & Co. KG. Any reproduction or disclosure, whether as a copy or other form of duplication or use, is expressly prohibited without the prior consent of Titgemeyer GmbH & Co. KG.

**Registered trademarks**

The trademarks BÖRTI, GETO, GETO therm, GETOVAN, GTO, LockBolt, MEGA PORT, plasti van, PLYFIX, POLYSTIC, press-ti, RIEKO, RIV-TI, ROLL-TO, TIBOLT, TIBULB, TIFAS, TILA, TIOS and Titgemeyer are registered trademarks and the intellectual property of Titgemeyer GmbH & Co. KG.

**Term of Delivery and Payment**

All deliveries are carried out in compliance with our Terms of Delivery and Payment.

**Limitation of liability**

All technical data, performance descriptions, drawings, illustrations, measurements, weights or any other performance data, recommendations and guidelines contained in this catalogue and relating to the installation of parts that we supply are only binding if so expressly agreed. Moreover, the user is obliged at all times to check each individual use and decide whether the components that we supply can be used as needed.

We accept liability in the case of wilful intent, gross negligence and infringement of cardinal contractual duties as well as for errors in respect of express or implied representations. Notwithstanding this, any claims for compensation not explicitly agreed to in these terms and conditions are hereby excluded in the case of customers who are not consumers and, in the case of such customers, who are not consumers, at all events limited to the damage foreseeable at the time of concluding the contract as well as to the value of the delivered consignment. To the extent that our liability is excluded or limited, this shall extend accordingly to the personal liability of employees, legal representatives and vicarious agents. In all instances of gross negligence committed by vicarious agents, we shall solely be liable to customers, who are not consumers, to compensate for typically foreseeable damage. The statutory regulation governing the burden of proof shall remain unaffected. The aforementioned limitation of liability shall not apply to claims resulting from product liability, for damage resulting from injury to life, limb or health, or for damage to privately used property.

**All technical specifications contained in this brochure are approximate and no guarantee is given as to their accuracy. Designs are subject to change.**

## About us

The Titgemeyer Group is a leading company for fastening technology and vehicle components at 15 locations in Europe.

The traditional company develops, manufactures and sells more than 30,000 fastening elements, tools and vehicle components – in series production and on request.

### Headquarters

**Titgemeyer GmbH & Co. KG**  
Hannoversche Straße 97  
49084 Osnabrück / DE

PO Box 4320  
49033 Osnabrück / DE

T +49 541 5822-0  
E info@titgemeyer.com  
W titgemeyer.com



### Sales locations

**Titgemeyer Austria GmbH**  
Brunner Straße 77 - 79  
1230 Wien / AT

T +43 (0) 1/6 67 90 40 - 0  
E sales@titgemeyer.com  
W titgemeyer.at

**Titgemeyer CZ spol. s r. o.**  
U Vodárny 1506  
397 01 Písek / CZ

T +420 382 2067 - 25  
E sales@titgemeyer.com  
W titgemeyercz.cz

**Titgemeyer Polska sp. z o.o.**  
Cypriana Bazylika 17  
98-200 Sieradz / PL

T +48 (0) 43 828 20 - 15  
E sales@titgemeyer.com  
W titgemeyer.pl

**Titgemeyer Skandinavien A/S**  
Lunikvej 32  
2670 Greve / DK

T +45 4360 0966  
E info@titgemeyer.dk  
W titgemeyer.dk

**Titgemeyer Skandinavien A/S**  
Box 3218  
550 03 Jönköping / SE

T +46 36 128350  
E info@titgemeyer.se  
W titgemeyer.se

**Titgemeyer Skandinavien A/S**  
Korkeakoulunkatu 7  
33720 Tampere / FI

T +358 (0) 400 448 401  
E info@titgemeyer.fi  
W titgemeyer.fi

**Titgemeyer Turkey Baglanti Teknolojileri San. ve Tic. A.S.**  
Barbaros Mah. Is Merkezi No.1  
Kat: 8 D.58  
34746 Atasehir, Istanbul / TUR

T +90 (0) 21 66 88 20 - 27  
E sales@titgemeyer.com.tr  
W titgemeyer.com.tr

**Titgemeyer (UK) Limited**  
A2 Link One Industrial Park  
George Henry Road  
DY4 7BU Tipton / UK

T +44 (0) 1 21 5 57 97 - 77  
E sales@titgemeyer.co.uk  
W titgemeyer.co.uk

### Production sites

**Cirteq Limited**  
'Hayfield' Colne Road,  
Glusburn, Keighley,  
West Yorkshire, BD20 8QP

T +44 1535 633333  
E sales@cirteq.com  
W cirteq.com

**Titgemeyer Tools & Automation spol s.r.o.**  
U Vodárny 1506  
397 01 Písek / CZ

T +42 382 2067 - 11  
E info@rivetec.cz  
W rivetec.cz

**RIEKO GmbH**  
Robert-Bosch-Straße 9  
72124 Pliezhausen / DE

T +49 7127 9744 - 0  
E info@rieko-web.com  
W rieko-web.com

**Titgemeyer GmbH & Co. KG Werk Lotte**  
Daimlerstraße 13 - 15  
49504 Lotte / DE

T +49 5404 9666 - 0  
E info@titgemeyer.com  
W titgemeyer.com

**TS Gesellschaft für Transport- und Sicherungssysteme mbH**  
Haßlinghauser Straße 156  
58285 Gevelsberg / DE

T +49 541 5822 - 900  
E ts@cargocontrol.de  
W wir-sind-ladungssicherung.de