

Fastening Technology / Threaded Inserts

# Tubtara<sup>®</sup>

Blind Rivet Nuts



# Contents

Page

Tubtara® blind rivet nuts	Overview	4	
	Flat head	Round shank, open end, aluminium	14
		Round shank, open end, steel	15
		Round shank, open end, A2 stainless steel	16
		Round shank, open end, A4 stainless steel	17
		Round shank, closed end, aluminium	18
		Round shank, closed end, steel	19
		Round shank, closed end, A2 stainless steel	20
		Round shank, closed end, A4 stainless steel	21
	Countersunk head	Round shank, open end, aluminium	22
		Round shank, open end, steel	23
		Round shank, open end, A2 stainless steel	24
		Round shank, open end, A4 stainless steel	25
		Round shank, closed end, aluminium	26
		Round shank, closed end, steel	27
		Round shank, closed end, A2 stainless steel	28
		Round shank, closed end, A4 stainless steel	29
	Low profile head	Round shank, open end, aluminium	30
		Round shank, open end, steel	31
		Round shank, open end, A2 stainless steel	32
		Round shank, open end, A4 stainless steel	33
		Round shank, closed end, steel	34
		Round shank, closed end, A2 stainless steel	35
		Round shank, closed end, A4 stainless steel	28
	Flat head	Hexagonal shank, open end, steel	37
		Semi-hexagonal shank, open end, A2 stainless steel	38
		Semi-hexagonal shank, open end, A4 stainless steel	39
		Hexagonal shank, closed end, steel	40
		Semi-hexagonal shank, closed end, A2 stainless steel	41
		Semi-hexagonal shank, closed end, A4 stainless steel	42
	Low profile head	Hexagonal shank, open end, steel	43
		Semi-hexagonal shank, open end, A2 stainless steel	44
		Semi-hexagonal shank, open end, A4 stainless steel	45

Low profile head	Hexagonal shank, closed end, steel	46
	Semi-hexagonal shank, closed end, A2 stainless steel	47
	Semi-hexagonal shank, closed end, A4 stainless steel	48
Flat head	Round shank with optimised knurl, open end	49
	Round shank with optimised knurl, closed end, steel	50
	Round shank with optimised knurl, open end, A2 stainless steel	51
	Round shank with optimised knurl, closed end, A2 stainless steel	52
Countersunk head	Round shank with optimised knurl, open end, A2 stainless steel	53
	Round shank with optimised knurl, closed end, A2 stainless steel	54
Low profile head	Round shank with optimised knurl, open end	55
	Round shank with optimised knurl, closed end, steel	56
	Round shank with optimised knurl, open end, A2 stainless steel	57
	Round shank with optimised knurl, closed end, A2 stainless steel	58
Flat head	Round shank, knurled, open end, steel	59
Countersunk head	Round shank, knurled, open end, steel	60
Flat head with seal	Full-hexagonal shank, with seal, closed end, steel	62
	Semi-hexagonal shank, with seal, closed end, A2 stainless steel	63
	Semi-hexagonal shank, with seal, closed end, A4 stainless steel	64
	Round shank, closed end, A2 stainless steel	65
	Semi-hexagonal shank, closed end, A2 stainless steel	66
	Round shank, closed end, A4 stainless steel	67
	Semi-hexagonal shank, closed end, A4 stainless steel	68
	Round shank, closed end, A4 stainless steel	68
Flat head "Anti-Turn"	Round shank, open end, steel	69
	Round shank, open end, A2 stainless steel	70
Low profile head	Round shank, open end, A2 stainless steel, UNF/UNC thread	71
	Semi-hexagonal shank, open end, A2 stainless steel, UNF/UNC thread	72
Mechanical loads		73

# Tubtara® blind rivet nuts

Dejond launched its first Tubtara® blind rivet nuts back in 1954, which, back then, were machined on a lathe. Only ten years later, production methods evolved towards more specialised cold-forming technology. Today, Dejond offers one of the widest ranges of high-quality, cold-formed blind rivet nuts. Each and every rivet is manufactured at its EN 9100 certified production facility in Wilrijk (Belgium). Tubtara® is a registered trademark of Dejond.

Besides standard and customised blind rivet nuts, the Tubtara® team can also custom cold-form selected parts according to its customers' drawings for very specific applications.

## **EN 9100 certification: quality guaranteed**

The entire Tubtara® team is involved in quality assurance and is more than ever committed to meeting the challenges of the future. Dejond lives up to its social and ecological responsibilities and tries to create a balance between economic, social and environmental aspects through responsible manufacturing technologies. Following a specific request by its aerospace customers, the Tubtara® division upgraded its ISO 9001 quality management system to the higher EN/AS/JISQ 9100 level in 2014. This certification helps Dejond to meet its customers' most stringent requirements while strengthening its position in the aerospace industry, which imposes strict safety standards and controls to ensure reliable quality. It is comparable to the TS 16949 automotive directive.



Dejond can be found in the OASIS (Online Aerospace Supplier Information System) database of the IAQG (International Aerospace Quality Group).

## **64 years of innovation**

Over the last 64 years, the Tubtara® division of Dejond has established itself as a pioneer in the production of blind rivet nuts based on a long tradition of innovation.

It has been able to use its deep knowledge of materials and cold forming production processes to constantly develop its product portfolio. The Tubtara® team heads into the next 60 years with a clear vision for the future:

- high and constant quality performance
- innovative and in-house R&D
- customer partnerships through technical and commercial support
- worry-free deliveries

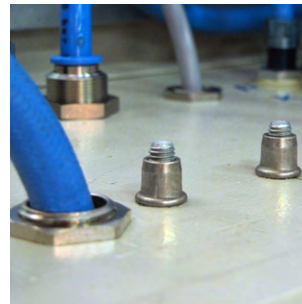
Tubtara® has the ambition to stay at the forefront of blind rivet nut design and manufacturing. As such, its goal is to continue to play a leading role in future technological developments, which is why it continues to invest in R&D.

Tubtara® is a mechanical fastener that ensures a strong thread in thin and thick metal plates or profiles, in composites or (engineered) plastics. It is ideal for applications where there is little or no access from/at the rear. It can clinch separate sheets or profiles together – acting as a rivet – and enables the (dis)assembly of a third component via a bolt or screw.

**Benefits**

10 reasons for choosing Tubtara® blind rivet nuts:

1. Simple blind installation: applied from one side of the workpiece
2. Low assembly cost versus other methods of installing threads in plates or profiles
3. Fast, easy assembly: further reducing the assembly costs
4. Zero-risk installation: no damage to the workpiece surface, enabling installation in pre-coated or pre-painted applications for a clean, undamaged thread
5. No deformation of the workpiece
6. No surface preparation required
7. Ideal for close-to-edge applications
8. Suitable for repeated assembly
9. Retained fastener: cf. Machinery Directive 2006/42/EC
10. Low installation cost: no expensive tools or applications



**Applications**

Tubtara® blind rivet nuts are used in all kinds of sheet metal, plastic and composite applications. They eliminate the need for tapping, welding or working with nuts and bolts. As such, they form an ideal solution for enclosed applications that can only be accessed from one side.

They are used in market segments such as:

- Aerospace
- Automotive
- White goods
- Electronics
- Metal furniture
- Railways
- Telecom
- Food
- Lighting
- Marine
- Offshore
- Medical
- etc.

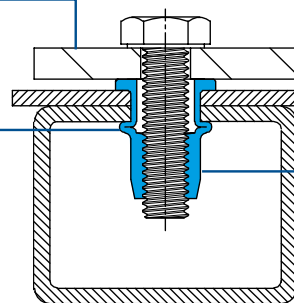
e.g. cabinets, pipes, cable trays, leg levelling, window & door profiles, rails, benches, fences, metal enclosures, heating installations, air-conditioning, swimming pools, solar panels.

**Installation**

Allows you to assemble another component with a bolt or screw

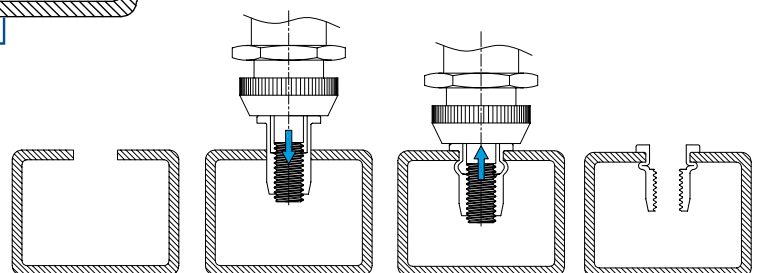
A permanent mechanical fastener

Blind (one-sided) installation: used in applications where there is little or no access from/at the rear



Can clinch separate sheets or structures together (acting like a rivet)

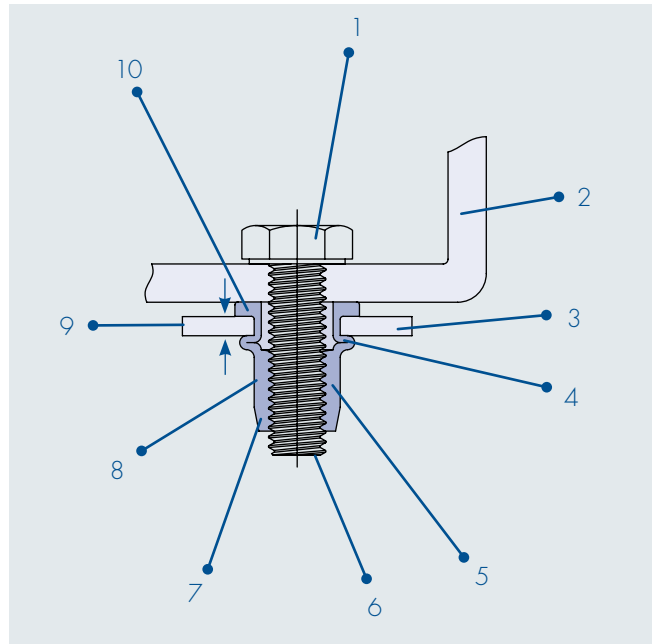
Ensures a strong thread in thin or thick metal plates/profiles, composites or plastics



Installation in less than three seconds!

**Terminology**

1. Screw or bolt inserted for assembly of another part
2. Assembled part
3. Workpiece: can be one sheet/profile or several sheets which require clinching
4. Bulb or counter head: the chamber (unthreaded section) is deformed during setting
5. Strong, secure internal thread
6. Open or closed end: closed-end version prevents the ingress of dirt and fluids, especially in combination with an underhead seal
7. Chamfer: guides the Tubtara® into the hole
8. Shank: round, full- or semi-hexagonal, knurled or splined version
9. Grip
10. Head: flat, countersunk, low profile, watertight, anti-turn head or customised head type



**Product description**

Steel	M5	RS	UFO	40
Stainless steel	M10	H	SPX	35
Aluminium	M8	-	UPO	80
Steel	M10	H	SPX	110
Steel	M4	KN	UKO	30
↓	↓	↓	↓	↓
Material	Thread	Shank	Head & shank	Max. grip
		RS: splined	U / S: Unigrip	40 = 4 mm
		H: hexagonal	F: countersunk head	35 = 3.5 mm
		KN: knurled	P: flat head	80 = 8 mm
		- : round	K: low profile head	110 = 11 mm
			O: open end	30 = 3 mm
			X: closed end	

**How to choose the appropriate Tubtara®**

- What kind of material and surface treatment do you need?
- What is the required thread size?
- Choose the correct grip range for the required material thickness of the application
- Choose the required head and shank style
- Do you need an open- or closed-end version?
- Check the technical characteristics of your chosen Tubtara®.

We recommend testing the product in your specific application in advance.  
 Samples are available on request.



All technical data is intended as a guide but is not binding! Subject to change without notice.

## Customised solutions



Customised features



Different materials and coatings



Specific anti-rotation head



Special thread requirements



Setting in engineered plastics

## In-house R&D department and technical support for specific applications

Dejond has more than 60 years of experience in developing and manufacturing Tubtara® blind rivet nuts. Tubtara® has become synonymous with high quality performance, innovation, in-house R&D and technical support - always one step ahead of the industry demand.

Tubtara® blind rivet nuts can be tailor-made in accordance with your specifications and to suit the demands of almost every application. Our in-house R&D engineers always strive to manufacture the best possible blind rivet. These customised solutions offer additional features to our standard Tubtara®, such as: increased torque-to-turn, sealing, controlled deformation, integration into parent material, centering, pressure spread, compatibility with other fasteners or tools, or special thread requirements.



The Tubtara® fasteners designed for the latest aerospace programmes are used, for instance, in composite material and aluminium structures on wing parts and seats. Besides blind rivet nuts, Dejond also concentrates

on cold-forming selected parts according to customer drawings for very specific applications.

# Materials and coatings

The right coating choice can offer additional characteristics to your Tubtara®.

Standard coating Zinktop:

- High-quality Cr6+- and Ni-free plating
- Conforms with ROHS-2, REACH, ELV directives
- Corrosion resistant: 96 h white rust - 480 h red rust
- Layer thickness: 10µ ± 2µ

## Coating options



Photo	Coating / Type	Standard / on request	Salt spray test (h) ISO 9227		Colour / Aspect	Corrosion protection	RoHS / Reach compliant	Remarks
			White rust	Red rust				
1	Zinc blue/white Cr3+	on req.	24	72	blue/white	*	✓	Cr6+-free
2	Zinc black Cr3+	on req.	48	96	black	*	✓	Cr6+-free
3	Zinc yellow Cr3+	on req.	96	240	light yellow	**	✓	Cr6+-free
4	Zinktop	ST	96	480	light grey	****	✓	Cr6+- and Ni free
5	Zinktop, cobalt free	on req.	96	480	light grey	****	✓	Cr6+-, Ni and Co free
6	Ultra 1000	on req.	240	1000	light grey	*****	✓	Cr6+- and Ni free
7	ZnNi (zinc nickel)	on req.	Quality according to customer specification					
8	Vibraseal®	on req.	X	X	red. green			seals + anti-vibration
9	Gleitmo®	on req.	X	X				friction reduction
10	Seal Inox®	on req.	X	X	matt grey	*****		avoids galling
11	Passivation	on req.				*****		only on stainless steel

The Ultra 1000 more than doubles the resistance to red rust in the salt spray test compared to the standard Zinktop. The blue and black trivalent coatings as well as the cobalt-free Zinktop have been developed to tackle imminent REACH regulations and can be delivered on demand.

\* Zinc yellow Cr6+ plating is no longer standard and has been omitted from this catalogue. Due to REACH phase-out, the production of steel, yellow hexavalent chromated parts has been fully discontinued.



## Why use a coating?

	Steel, Zinktop	Steel, coloured	Passivation on stainless steel	Gleitmo®	Vibraseal®	Seal Inox®	Molykote®
Adequate visual aspects		+					
Colour distinction		+			o	o	
To avoid galling				+		+	+
Reduced friction				+		+	+
Increased friction				-		-	-
Avoids galvanic couple	o	o	+		+	+	
Electrical conductivity	+				-	-	-
Anti-vibration function					+		
Increased corrosion resistance	+		+			+	
Seal function					+	+	
UV illumination				+			

- negative influence

o possible influence

+ positive influence

We strongly advise that you perform some tests in the specific applications environment. Samples are available on request.

## Stock items

Material			Wnr.
Aluminium	AlMg2.5	5052	3.3523
Steel	C8C	QST 34-3	1.0213
A2 stainless steel	304Cu		1.4567
A4 stainless steel	316Cu		1.4578





## Non-stock items

Material			Wnr.
A5 stainless steel	316Ti		1.4571
A6 stainless steel	904L		1.4539
High-strength steel	23MnB4		1.5535
High-strength Aluminium	AlMg3.5	5154	

## Galvanic compatibility

Galvanic corrosion may occur as a result of electric potential difference resulting from two metals coming into contact with each other in the presence of an electrolyte. During this process, the surface is first removed from the more ignoble material. Tears, gaps or coating deposits between the surfaces should be avoided to prevent or restrict any ingress of corrosion.

Base material used in Tubtara®	Blind rivet nuts Galv. steel	Material Aluminium	304 + 316 stainless
Aluminium			
Galvanised steel			
Copper, brass	TT	TT	
4xx stainless steel	TT	TT	
304 + 316 stainless	TT	TT	

	Base material and Tubtara® OK
	Base metal corrodes on contact with Tubtara®
	Base metal OK, Tubtara® corrodes
	Base material strongly corrodes in presence of Tubtara®

# Cold-formed Tubtara® in high alloy austenitic A5 and A6 stainless steel



## Delivery options

- Standard shanks
- Standard heads
- Open or closed end
- 1st and 2nd grip range

## Material

- A5 stainless steel: 316 Ti - WNr 1.4571
- A6 stainless steel: 904L - WNr 1.4539

## Applications

- Extremely demanding, chloride bearing applications where even A4 (316) stainless steel fasteners offer insufficient corrosion protection
- A6 grade is also armoured against strong acid bearing environments
- Civil engineering, tunnel infrastructures, ceiling panels in swimming pools, etc.

## Advantages

- Superior corrosion protection, mainly thanks to considerable nickel and molybdenum content
- A6 stainless steel (PRE-Wert 35) guarantees superior protection against pitting and crevice corrosion compared to A4/316 steel (PRE 25). (PRE = pitting resistance equivalent value).

## Samples

The following samples are available from stock:

- A6 stainless steel: M6 UPO 30
- A5 stainless steel: M8 UPO 30 / M8 UPO 65 / M8 UFO 45 / M8 UFO 65 / M8 UFX 45 / M8 UKO 30 / M8 HUKO 30

Other dimensions on request

# Seal Inox®

## Topcoat on stainless steel



### What is Seal Inox®?

- Seal Inox® is a topcoat that makes it easier to assemble stainless steel threaded parts. The integrated lubricant additive in this topcoat prevents gripping during assembly, also known as "galling". Galling is caused by the adhesion of two sliding surfaces under increased friction and often occurs between stainless steel threaded connections.

### Characteristics:

- Thin dry layer
- Can be applied in single or double layers. [To avoid any assembly problems, we recommend that you use a (hex) hole tolerance of 0.05 - 0.15 mm instead of 0 - 0.1 mm.]
- Visually distinguishable grey treatment; other colours on request
- Friction coefficient 0.09 - 0.14 (according to DIN EN ISO 16047)
- Temperature resistance: 180°C
- Conforms to ELV and RoHS, Cr6+ free

### Benefits of a Seal Inox® topcoat on stainless steel Tubtara® blind rivet nuts

- Reduces friction and prevents galling
- Provides a higher clamping force
- Reduces assembly time
- Slows down contact corrosion
- Protects against various chemicals, e.g. chlorides, acids and oils
- Can be applied on different steel qualities: 304, 316, 316Ti, 904L
- Is predominantly applied on hexagonal or knurled Tubtara® shanks since Seal Inox® will be present on both inside and outside surfaces, thus potentially reducing torque-to-turn for round Tubtara® blind rivet nuts.

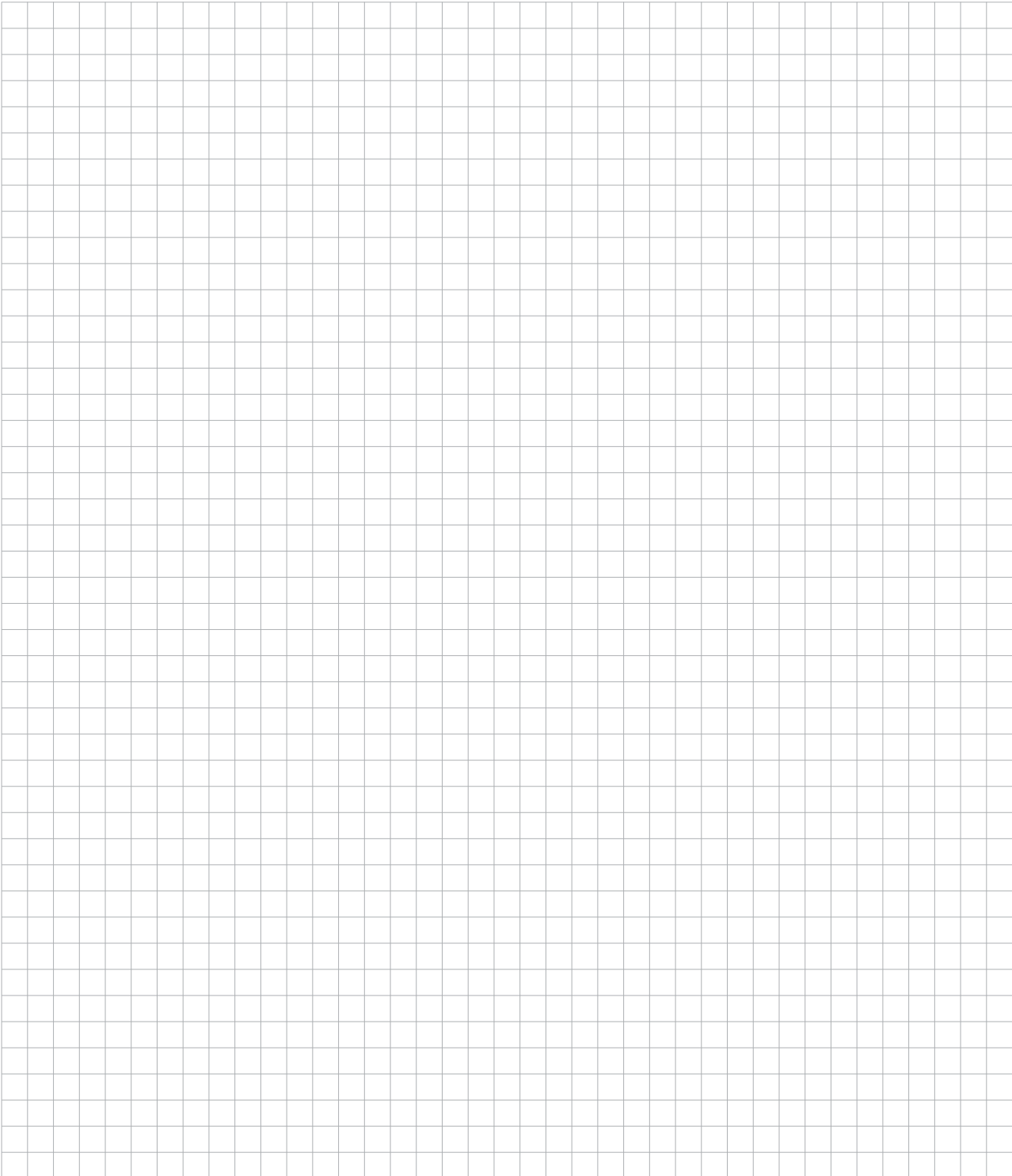
### Delivery options

- Semi-hexagonal or knurled shank
- Standard heads
- Open or closed end
- Various grip ranges

### Availability

Seal Inox® is only applied to order. Please order separately.  
Prices and lead times available on request.

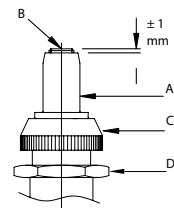
# Notes



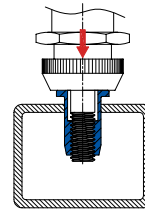
All technical data is intended as a guide but is not binding! Subject to change without notice.

## Setting method

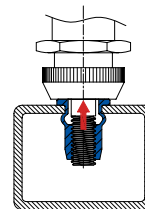
1. Screw the Tubtara® blind rivet nut (A) onto the mandrel (B) of the setting tool. If using an open-end version, the mandrel should protrude by about 1 mm. For closed-end blind rivets, continue screwing until you feel resistance. Screw the anvil (C) against the head of the Tubtara® blind rivet nut and block it with the locking nut (D).



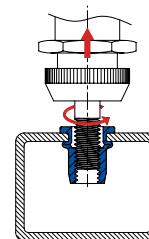
2. Insert the Tubtara® blind rivet nut mounted on the setting tool into the hole of the workpiece.



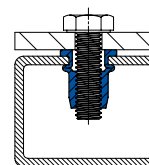
3. Set the Tubtara®: The deformation chamber in the Tubtara® now forms the counterhead (bulb) on the underside of the workpiece.



4. Unscrew the mandrel from the Tubtara®.



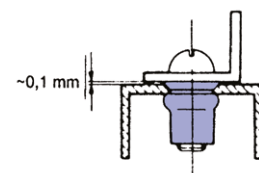
5. The Tubtara® blind rivet nut is now set. You can now easily insert your bolt or screw to assemble another component.



### Countersunk heads:

Are you using a Tubtara® blind rivet nut with a countersunk head? Always countersink at 90° so that the head of the installed Tubtara® protrudes about 0.1 mm above your workpiece. This ensures direct contact with the assembled component.

Don't have the possibility to countersink?  
Use a low-profile head!



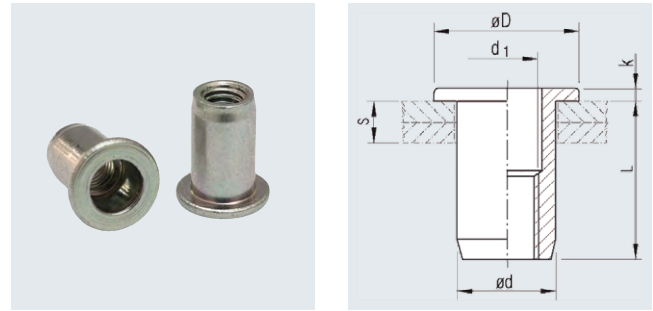
# Tubtara® blind rivet nuts

## Flat head

Round shank, open end

## Material

Aluminium



Thread d1 6H	Grip range s [mm]	Hole ø +0.1 [mm]	Shank ø d -0.02 -0.15 [mm]	Head ø D ±0.35 [mm]	Head height k ±0.15 [mm]	Shank length L ±0.35 [mm]	Description	Article No.
M 3	0.5 - 2.0	5.0	5.0	8.0	0.75	9.75	UP020	336 351 000 <sup>1</sup>
	2.0 - 3.0	5.0	5.0	8.0	0.75	10.75	UP030	336 353 000 <sup>1</sup>
M 4	0.5 - 3.0	6.0	6.0	10.0	0.75	10.75	UP030	336 453 000
	3.0 - 4.5	6.0	6.0	10.0	0.75	12.25	UP045	336 455 000
M 5	0.5 - 3.0	7.0	7.0	11.0	1.0	12.0	UP030	336 552 000
	3.0 - 5.5	7.0	7.0	11.0	1.0	15.0	UP055	336 554 000
M 6	0.5 - 3.0	9.0	9.0	13.0	1.5	14.5	UP030	336 631 000
	3.0 - 5.5	9.0	9.0	13.0	1.5	16.5	UP055	336 633 000
	5.5 - 8.0	9.0	9.0	13.0	1.5	19.0	UP080	336 634 000 <sup>2</sup>
M 8	0.5 - 3.0	11.0	11.0	16.0	1.5	16.0	UP030	336 771 000
	3.0 - 5.5	11.0	11.0	16.0	1.5	18.5	UP055	336 773 000
	5.5 - 8.0	11.0	11.0	16.0	1.5	21.5	UP080	336 775 002 <sup>2</sup>
M 10	0.8 - 3.5	12.5	12.4 <sup>3</sup>	18.5	2.25	19.75	UP035	336 901 000
	3.5 - 6.0	12.5	12.4 <sup>3</sup>	18.5	2.25	22.75	UP060	336 903 000 <sup>2</sup>

<sup>1</sup> Shank end without chamfer

<sup>2</sup> Not a stock item - contact us for minimum quantities

<sup>3</sup> Shank Ø (d) tolerance: ±0.08

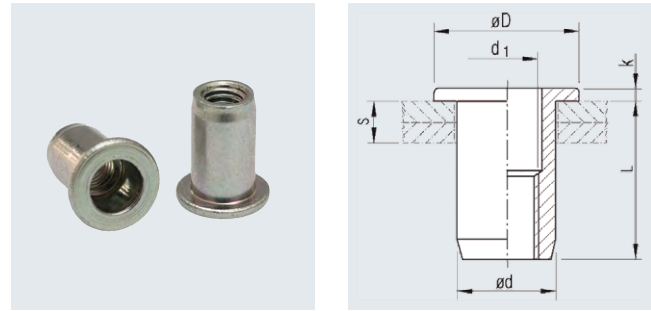
# Tubtara® blind rivet nuts

## Flat head

Round shank, open end

## Material

Steel, Zinktop 480h



Thread d1 6H	Grip range s [mm]	Hole $\varnothing$ +0.1 [mm]	Shank $\varnothing$ d -0.02 -0.15 [mm]	Head $\varnothing$ D $\pm 0.35$ [mm]	Head height k $\pm 0.15$ [mm]	Shank length L $\pm 0.35$ [mm]	Description	Article No.
M 3	0.5 - 2.0	5.0	5.0	8.0	0.75	9.75	UP020	336 181 950 <sup>1</sup>
	2.0 - 3.0	5.0	5.0	8.0	0.75	10.75	UP030	336 183 950 <sup>1</sup>
M 4	0.5 - 3.0	6.0	6.0	10.0	0.75	10.75	UP030	336 223 950
	3.0 - 4.5	6.0	6.0	10.0	0.75	12.25	UP045	336 225 950
M 5	0.5 - 3.0	7.0	7.0	11.0	1.0	12.0	UP030	336 262 950
	3.0 - 5.5	7.0	7.0	11.0	1.0	15.0	UP055	336 264 950
M 6	0.5 - 3.0	9.0	9.0	13.0	1.5	14.5	UP030	336 711 950
	3.0 - 5.5	9.0	9.0	13.0	1.5	16.5	UP055	336 713 950
	5.5 - 8.0	9.0	9.0	13.0	1.5	19.0	UP080	336 714 950
M 8	0.5 - 3.0	11.0	11.0	16.0	1.5	16.0	UP030	336 857 950
	3.0 - 5.5	11.0	11.0	16.0	1.5	18.5	UP055	336 859 950
	5.5 - 8.0	11.0	11.0	16.0	1.5	21.5	UP080	336 860 950
M 10	0.8 - 3.5	12.5	12.4 <sup>3</sup>	18.5	2.3	19.75	UP035	336 987 950
	3.5 - 6.0	12.5	12.4 <sup>3</sup>	18.5	2.3	22.75	UP060	336 989 950
M 10	0.8 - 3.5	13.0	13.0	19.0	2.0	21.0	SPO35	336 988 950
	3.5 - 6.0	13.0	13.0	19.0	2.0	24.0	SPO60	336 990 950
M12	1.0 - 4.0	16.0	16.0	23.0	2.0	25.0	UP040	336 011 950
	4.0 - 7.0	16.0	16.0	23.0	2.0	28.0	UP070	336 012 950

<sup>1</sup> Shank end without chamfer

<sup>3</sup> Shank  $\varnothing$  (d) tolerance:  $\pm 0.08$

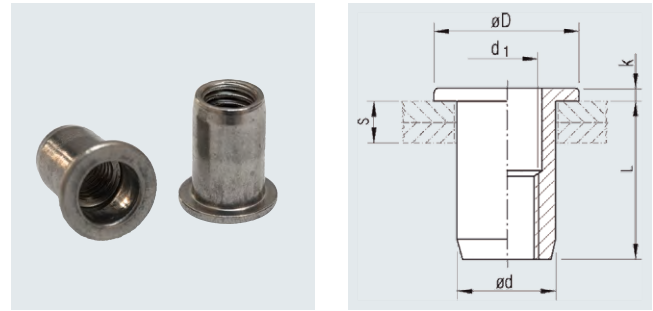
# Tubtara® blind rivet nuts

## Flat head

Round shank, open end

## Material

Stainless steel AISI 304 Cu 1.4567



Thread d1 6H	Grip range s [mm]	Hole ø +0.1 [mm]	Shank ø d -0.02 -0.15 [mm]	Head ø D ±0.35 [mm]	Head height k ±0.15 [mm]	Shank length L ±0.35 [mm]	Description	Article No.
M 4	0.5 - 2.0	6.0	6.0	9.0	1.0	11.0	UP020	334 225 000
	2.0 - 3.5	6.0	6.0	9.0	1.0	12.5	UP035	334 226 000
M 5	0.5 - 3.0	7.0	7.0	10.0	1.0	11.5	UP030	334 266 000
	3.0 - 5.0	7.0	7.0	10.0	1.0	15.0	UP050	334 267 000
M 6	0.5 - 3.0	9.0	9.0	12.0	1.5	14.5	UP030	334 716 000
	3.0 - 5.0	9.0	9.0	12.0	1.5	16.5	UP050	334 717 020
	5.0 - 7.0	9.0	9.0	12.0	1.5	18.5	UP070	334 719 000
M 8	0.5 - 3.0	11.0	11.0	15.0	1.5	16.0	UP030	334 855 000
	3.0 - 5.5	11.0	11.0	15.0	1.5	18.5	UP055	334 856 000
	5.5 - 8.0	11.0	11.0	15.0	1.5	21.5	UP080	334 857 000
M10	0.8 - 3.0	12.0	12.0	15.0	1.0	18.5	UP030	334 985 000
	3.0 - 5.0	12.0	12.0	15.0	1.0	20.5	UP050	334 986 000
M10	0.8 - 3.5	13.0	13.0	17.0	1.5	21.5 <sup>4</sup>	SP035	334 987 000
	3.5 - 6.0	13.0	13.0	17.0	1.5	24.0 <sup>4</sup>	SP060	334 988 000
M12	1.0 - 4.0	16.0	16.0	23.0	2.0	25.0	UP040	334 996 000
	3.0 - 7.0	16.0	16.0	23.0	2.0	28.0	UP070	334 997 000

<sup>4</sup> Shank length (L) tolerance: ±0.5



# Tubtara® blind rivet nuts

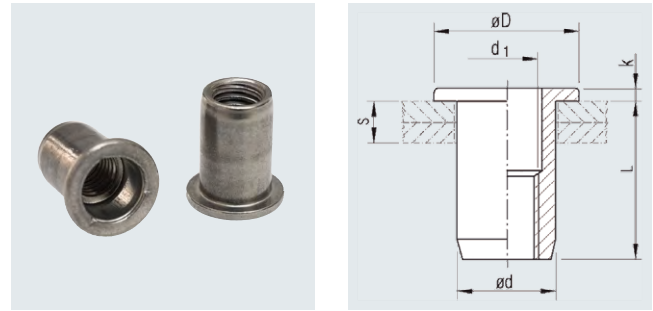
## Flat head

Round shank, open end

## Material

Stainless steel AISI 316 Cu 1.4578

**Exceptionally high corrosion resistance**



Thread	Grip range	Hole $\varnothing$	Shank $\varnothing$	Head $\varnothing$	Head height	Shank length	Description	Article No.
$d_1$	$s$	$+0.1$	$d -0.02 -0.15$	$D \pm 0.35$	$k \pm 0.15$	$L \pm 0.35$		
6H	[mm]	[mm]	[mm]	[mm]	[mm]	[mm]		
M 4	0.5 - 2.0	6.0	6.0	9.0	1.0	11.0	UP020	334 221 000
	2.0 - 3.5	6.0	6.0	9.0	1.0	12.5	UP035	334 222 000
M 5	0.5 - 3.0	7.0	7.0	10.0	1.0	11.5	UP030	334 268 000
	3.0 - 5.0	7.0	7.0	10.0	1.0	15.0	UP050	334 269 000
M 6	0.5 - 3.0	9.0	9.0	12.0	1.5	14.5	UP030	334 718 000
	3.0 - 5.0	9.0	9.0	12.0	1.5	16.5	UP050	334 721 000
	5.0 - 7.0	9.0	9.0	12.0	1.5	18.5	UP070	334 720 000
M8	0.5 - 3.0	11.0	11.0	15.0	1.5	16.0	UP030	334 870 000
	3.0 - 5.5	11.0	11.0	15.0	1.5	18.5	UP055	334 871 000
	4.5 - 7.0	11.0	11.0	15.0	1.5	20.0	UP070	334 872 000
M10	0.8 - 3.5	13.0	13.0	17.0	1.5	21.5 <sup>4</sup>	SP035	334 873 000
	3.5 - 6.0	13.0	13.0	17.0	1.5	24.0 <sup>4</sup>	SP060	334 874 000

<sup>4</sup> Shank length (L) Tolerance:  $\pm 0,5$

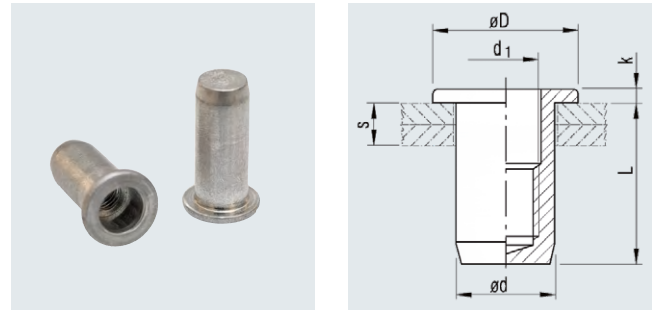
# Tubtara® blind rivet nuts

## Flat head

Round shank, closed end

## Material

 Aluminium



Thread	Grip range	Hole $\varnothing$	Shank $\varnothing$	Head $\varnothing$	Head height	Shank length	Description	Article No.
<b>d1</b>	<b>s</b>	<b>+0.1</b>	<b>d -0.02 -0.15</b>	<b>D <math>\pm 0.35</math></b>	<b>k <math>\pm 0.15</math></b>	<b>L <math>\pm 0.35</math></b>		
<b>6H</b>	<b>[mm]</b>	<b>[mm]</b>	<b>[mm]</b>	<b>[mm]</b>	<b>[mm]</b>	<b>[mm]</b>		
M 3	0.5 - 2.0	5.0	5.0	8.0	0.75	13.25	UPX20	336 432 000 <sup>2</sup>
M 4	0.5 - 3.0	6.0	6.0	10.0	0.75	14.75	UPX30	336 433 000
	3.0 - 4.5	6.0	6.0	10.0	0.75	16.25	UPX45	336 434 000 <sup>2</sup>
M 5	0.5 - 3.0	7.0	7.0	11.0	1.0	18.0	UPX30	336 532 000
	3.0 - 5.5	7.0	7.0	11.0	1.0	20.5	UPX55	336 534 000 <sup>2</sup>
M 6	0.5 - 3.0	9.0	9.0	13.0	1.5	21.5	UPX30	336 611 000
	3.0 - 5.5	9.0	9.0	13.0	1.5	24.5	UPX55	336 613 000 <sup>2</sup>
M 8	0.5 - 3.0	11.0	11.0	16.0	1.5	22.5	UPX30	336 751 000
	3.0 - 5.5	11.0	11.0	16.0	1.5	25.5	UPX55	336 753 000 <sup>2</sup>

<sup>2</sup> Not a stock item - contact us for minimum quantities

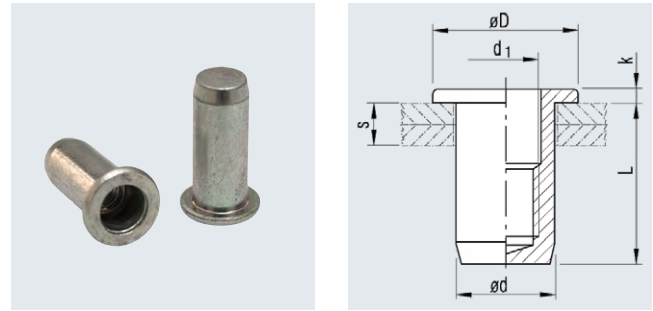
# Tubtara® blind rivet nuts

## Flat head

Round shank, closed end

## Material

Steel, Zinktop 480h



Thread	Grip range	Hole $\varnothing$	Shank $\varnothing$	Head $\varnothing$	Head height	Shank length	Description	Article No.
<b>d1</b>	<b>s</b>	<b>+0.1</b>	<b>d -0.02 -0.15</b>	<b>D <math>\pm 0.35</math></b>	<b>k <math>\pm 0.15</math></b>	<b>L <math>\pm 0.35</math></b>		
<b>6H</b>	<b>[mm]</b>	<b>[mm]</b>	<b>[mm]</b>	<b>[mm]</b>	<b>[mm]</b>	<b>[mm]</b>		
M 4	0.5 - 3.0	6.0	6.0	10.0	0.75	14.75	UPX30	336 203 950
	3.0 - 4.5	6.0	6.0	10.0	0.75	16.25	UPX45	336 205 950 <sup>2</sup>
M 5	0.5 - 3.0	7.0	7.0	11.0	1.0	18.0	UPX30	336 242 950
	3.0 - 5.5	7.0	7.0	11.0	1.0	20.5	UPX55	336 244 950
M 6	0.5 - 3.0	9.0	9.0	13.0	1.5	21.5	UPX30	336 691 950
	3.0 - 5.5	9.0	9.0	13.0	1.5	24.5	UPX55	336 693 950
	5.5 - 8.0	9.0	9.0	13.0	1.5	27.0	UPX80	336 694 950
M 8	0.5 - 3.0	11.0	11.0	16.0	1.5	22.5	UPX30	336 837 950
	3.0 - 5.5	11.0	11.0	16.0	1.5	25.5	UPX55	336 839 950
	5.5 - 8.0	11.0	11.0	16.0	1.5	28.0	UPX80	336 840 950
M 10	0.8 - 3.5	12.5	12.4 <sup>3</sup>	18.5	2.25	28.5	UPX35	336 950 950
	3.5 - 6.0	12.5	12.4 <sup>3</sup>	18.5	2.25	31.5	UPX60	336 951 950
M 12	3.0 - 7.0	16.0	16.0	23.0	2.0	38.0	UPX70	336 024 950

<sup>2</sup> Not a stock item - contact us for minimum quantities

<sup>3</sup> Shank  $\varnothing$  tolerance:  $\pm 0.08$

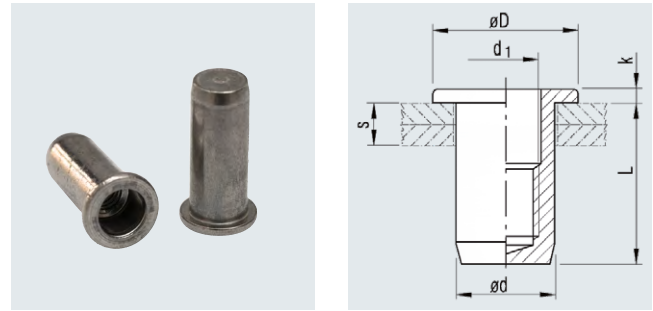
# Tubtara® blind rivet nuts

## Flat head

Round shank, closed end

## Material

Stainless steel AISI 304 Cu 1.4567



Thread	Grip range	Hole ø	Shank ø	Head ø	Head height	Shank length	Description	Article No.
d1	s	+0.1	d -0.02 -0.15	D ±0.35	k ±0.15	L ±0.35		
6H	[mm]	[mm]	[mm]	[mm]	[mm]	[mm]		
M 4	0.5 - 2.0	6.0	6.0	9.0	1.0	15.0	UPX20	334 207 000
	2.0 - 3.5	6.0	6.0	9.0	1.0	16.5	UPX35	334 208 000
M 5	0.5 - 3.0	7.0	7.0	10.0	1.0	17.5	UPX30	334 242 000
	3.0 - 5.0	7.0	7.0	10.0	1.0	19.5	UPX50	334 244 000
M 6	0.5 - 3.0	9.0	9.0	12.0	1.5	21.5	UPX30	334 691 000
	3.0 - 5.0	9.0	9.0	12.0	1.5	23.5	UPX50	334 694 000
M 8	0.5 - 3.0	11.0	11.0	15.0	1.5	23.5	UPX30	334 841 000
	3.0 - 5.5	11.0	11.0	15.0	1.5	26.0	UPX55	334 848 000
M 10	0.8 - 3.5	13.0	13.0	17.0	1.5	28.5 <sup>4</sup>	SPX35	334 849 000
	3.5 - 6.0	13.0	13.0	17.0	1.5	31.0 <sup>4</sup>	SPX60	334 850 000
M12	3.0 - 7.0	16.0	16.0	23.0	2.0	38.5	UPX70	334 852 000

<sup>4</sup> Shank length (L) tolerance: ±0.5

# Tubtara® blind rivet nuts

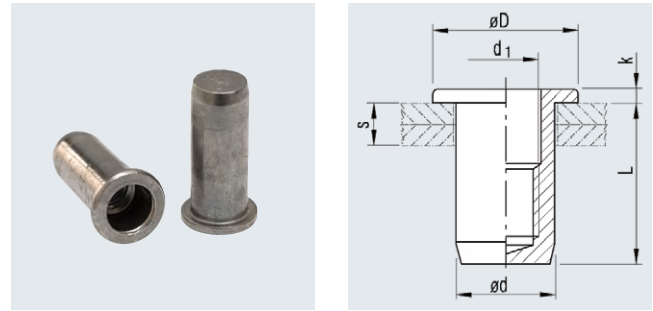
## Flat head

Round shank, closed end

## Material

Stainless steel AISI 316 Cu 1.4578

**Exceptionally high corrosion resistance**



Thread	Grip range	Hole $\varnothing$	Shank $\varnothing$	Head $\varnothing$	Head height	Shank length	Description	Article No.
$d_1$	$s$	+0.1	$d - 0.02 - 0.15$	$D \pm 0.35$	$k \pm 0.15$	$L \pm 0.35$		
6H	[mm]	[mm]	[mm]	[mm]	[mm]	[mm]		
M 4	0.5 - 2.0	6.0	6.0	9.0	1.0	15.0	UPX20	334 415 000
	2.0 - 3.5	6.0	6.0	9.0	1.0	16.5	UPX35	334 416 000
M 5	0.5 - 3.0	7.0	7.0	10.0	1.0	17.5	UPX30	334 445 000
	3.0 - 5.0	7.0	7.0	10.0	1.0	19.5	UPX50	334 449 000
M 6	0.5 - 3.0	9.0	9.0	12.0	1.5	21.5	UPX30	334 698 000
	3.0 - 5.0	9.0	9.0	12.0	1.5	23.5	UPX50	334 699 000
M 8	0.5 - 3.0	11.0	11.0	15.0	1.5	23.5	UPX30	334 843 000
	3.0 - 5.5	11.0	11.0	15.0	1.5	26.0	UPX55	334 847 000
M 10	0.8 - 3.5	13.0	13.0	17.0	1.5	28.5 <sup>4</sup>	SPX35	334 876 000
	3.5 - 6.0	13.0	13.0	17.0	1.5	31.0 <sup>4</sup>	SPX60	334 877 000

<sup>4</sup> Shank length (L) tolerance:  $\pm 0.5$

# Tubtara® blind rivet nuts

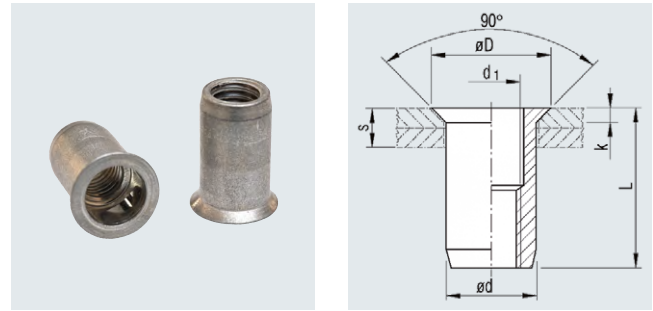
## Countersunk head 90°

Round shank, open end

### Material



Aluminium



Thread	Grip range	Hole $\varnothing$	Shank $\varnothing$	Head $\varnothing$	Head height	Shank length	Description	Article No.
<b>d1</b>	<b>s</b>	<b>+0.1</b>	<b>d -0.02 -0.15</b>	<b>D 0 -0.5</b>	<b>k +0.3</b>	<b>L <math>\pm</math>0.35</b>		
<b>6H</b>	<b>[mm]</b>	<b>[mm]</b>	<b>[mm]</b>	<b>[mm]</b>	<b>[mm]</b>	<b>[mm]</b>		
M 3	1.7 - 3.5	5.0	5.0	8.0	1.5	11.25	UF035	336 361 000 <sup>1</sup>
M 4	1.7 - 3.5	6.0	6.0	9.0	1.5	11.5	UF035	336 461 000
	3.5 - 5.0	6.0	6.0	9.0	1.5	13.0	UF050	336 465 000
M 5	1.7 - 4.0	7.0	7.0	10.0	1.5	13.0	UF040	336 561 000
	4.0 - 6.5	7.0	7.0	10.0	1.5	16.0	UF065	336 563 000
M 6	1.7 - 4.5	9.0	9.0	12.0	1.5	17.0	UF045	336 641 000
	4.5 - 6.5	9.0	9.0	12.0	1.5	19.0	UF065	336 642 000
M 8	1.7 - 4.5	11.0	11.0	14.0	1.5	19.0	UF045	336 781 000
	4.5 - 6.5	11.0	11.0	14.0	1.5	21.0	UF065	336 782 000
M 10	1.7 - 4.5	12.5	12.4 <sup>3</sup>	15.4	1.5	21.0	UF045	336 911 000
	4.5 - 6.5	12.5	12.4 <sup>3</sup>	15.4	1.5	23.0	UF065	336 912 000 <sup>2</sup>

<sup>1</sup> Shank end without chamfer

<sup>2</sup> Not a stock item - contact us for minimum quantities

<sup>3</sup> Shank  $\varnothing$  tolerance:  $\pm$ 0.08

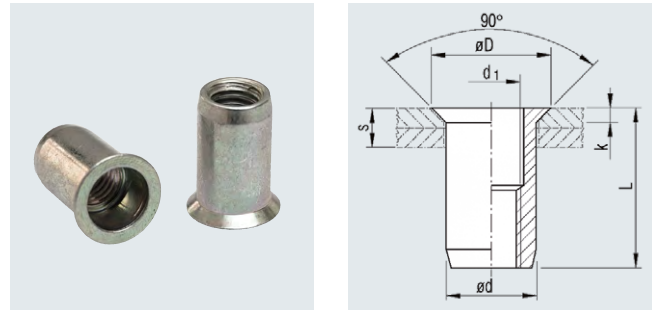
# Tubtara® blind rivet nuts

## Countersunk head 90°

Round shank, open end

### Material

Steel, Zinktop 480h



Thread d1	Grip range s [mm]	Hole $\phi$ +0.1 [mm]	Shank $\phi$ d -0.02 -0.15 [mm]	Head $\phi$ D 0 -0.5 [mm]	Head height k $\pm 0.3$ [mm]	Shank length L +0.35 [mm]	Description	Article No.
M 3	1.7 - 3.5	5.0	5.0	8.0	1.5	11.25	UF035	336 191 950 <sup>1</sup>
M 4	1.7 - 3.5	6.0	6.0	9.0	1.5	11.5	UF035	336 231 950
	3.5 - 5.0	6.0	6.0	9.0	1.5	13.0	UF050	336 235 950
M 5	1.7 - 4.0	7.0	7.0	10.0	1.5	13.0	UF040	336 271 950
	4.0 - 6.5	7.0	7.0	10.0	1.5	16.0	UF065	336 273 950
M 6	1.7 - 4.5	9.0	9.0	12.0	1.5	17.0	UF045	336 721 950
	4.5 - 6.5	9.0	9.0	12.0	1.5	19.0	UF065	336 722 950
M 8	1.7 - 4.5	11.0	11.0	14.0	1.5	19.0	UF045	336 867 950
	4.5 - 6.5	11.0	11.0	14.0	1.5	21.0	UF065	336 868 950
M 10	1.7 - 4.5	12.5	12.4 <sup>3</sup>	15.4	1.5	21.0	UF045	336 997 950
	4.5 - 6.5	12.5	12.4 <sup>3</sup>	15.4	1.5	23.0	UF065	336 998 950
M 12	2.0 - 4.5	16.0	16.0	19.0	1.8	26.0	UF045	336 021 950
	4.5 - 7.5	16.0	16.0	19.0	1.8	29.0	UF075	336 022 950

<sup>1</sup> Shank end without chamfer

<sup>3</sup> Shank  $\phi$  tolerance:  $\pm 0.08$

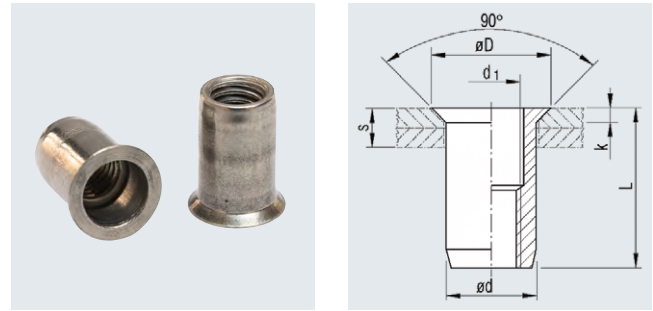
# Tubtara® blind rivet nuts

## Countersunk head 90°

Round shank, open end

### Material

Stainless steel AISI 304 Cu 1.4567



Thread d1 6H	Grip range s [mm]	Hole $\varnothing$ +0.1 [mm]	Shank $\varnothing$ d -0.02 -0.15 [mm]	Head $\varnothing$ D 0 -0.5 [mm]	Head height k +0.3 [mm]	Shank length L $\pm 0.35$ [mm]	Description	Article No.
M 4	1.2 - 3.0	6.0	6.0	8.0	1.0	12.0	UF030	334 236 000
M 5	1.2 - 3.5	7.0	7.0	9.0	1.0	12.0	UF035	334 276 000
M 6	1.7 - 4.5	9.0	9.0	12.0	1.5	17.0	UF045	334 726 000
	4.5 - 6.5	9.0	9.0	12.0	1.5	19.0	UF065	334 728 000
M 8	1.7 - 4.5	11.0	11.0	14.0	1.5	17.5	UF045	334 865 000
	4.5 - 6.5	11.0	11.0	14.0	1.5	19.5	UF065	334 864 000
M10	1.7 - 4.5	12.1	12.0	15.0	1.5	20.0	UF045	334 994 000
	1.7 - 4.5	13.0	13.0	16.0	1.5	22.5 <sup>4</sup>	SFO 45	334 995 000
M12	2.0 - 5.5	16.0	16.0	19.0	1.8	27.0	UF055	334 998 000

<sup>4</sup> Shank length (L) tolerance:  $\pm 0.5$



# Tubtara® blind rivet nuts

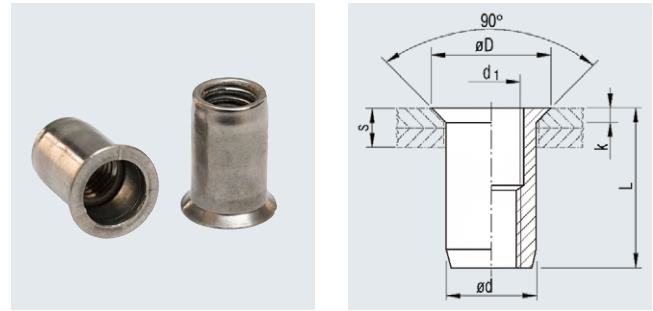
## Countersunk head 90°

Round shank, open end

### Material

Stainless steel AISI 316 Cu 1.4578

**Exceptionally high corrosion resistance**



Thread	Grip range	Hole ø	Shank ø	Head ø	Head height	Shank length	Description	Article No.
<b>d1</b>	<b>s</b>	<b>+0.1</b>	<b>d -0.02 -0.15</b>	<b>D 0 -0.5</b>	<b>k +0.3</b>	<b>L ±0.35</b>		
<b>6H</b>	<b>[mm]</b>	<b>[mm]</b>	<b>[mm]</b>	<b>[mm]</b>	<b>[mm]</b>	<b>[mm]</b>		
M 4	1.2 - 3.0	6.0	6.0	8.0	1.0	12.0	UF030	334 212 000 <sup>2</sup>
M 5	1.2 - 3.5	7.0	7.0	9.0	1.0	12.0	UF035	334 216 000
M 6	1.7 - 4.5	9.0	9.0	12.0	1.5	17.0	UF045	334 736 000
M 8	1.7 - 4.5	11.0	11.0	14.0	1.5	17.5	UF045	334 875 000
M 10	1.7 - 4.5	13.0	13.0	16.0	1.5	22.5 <sup>4</sup>	SF045	334 975 000 <sup>2</sup>

<sup>2</sup> Not a stock item - contact us for minimum quantities

<sup>4</sup> Shank length (L) tolerance: ±0.5

# Tubtara® blind rivet nuts

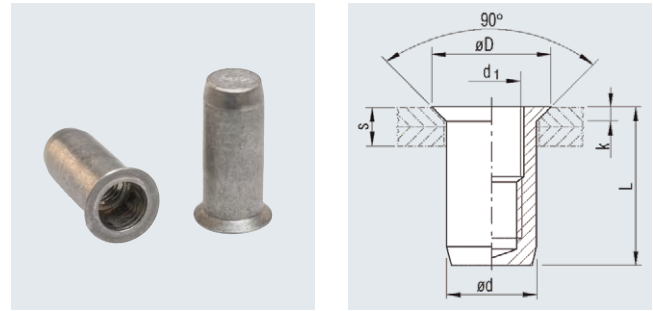
## Countersunk head 90°

Round shank, closed end

### Material



Aluminium



Thread	Grip range	Hole ø	Shank ø	Head ø	Head height	Shank length	Description	Article No.
<b>d1</b>	<b>s</b>	<b>+0.1</b>	<b>d -0.02 -0.15</b>	<b>D 0 -0.5</b>	<b>k +0.3</b>	<b>L ±0.35</b>		
<b>6H</b>	<b>[mm]</b>	<b>[mm]</b>	<b>[mm]</b>	<b>[mm]</b>	<b>[mm]</b>	<b>[mm]</b>		
M 4	1.7 - 3.5	6.0	6.0	9.0	1.5	15.5	UFX35	336 441 000
	3.5 - 5.0	6.0	6.0	9.0	1.5	17.0	UFX50	336 445 000 <sup>2</sup>
M 5	1.7 - 4.0	7.0	7.0	10.0	1.5	18.0	UFX40	336 541 000
	4.0 - 6.5	7.0	7.0	10.0	1.5	20.5	UFX65	336 543 000 <sup>2</sup>
M 6	1.7 - 4.5	9.0	9.0	12.0	1.5	22.0	UFX45	336 621 000
	4.5 - 6.5	9.0	9.0	12.0	1.5	24.0	UFX65	336 622 000 <sup>2</sup>
M 8	1.7 - 4.5	11.0	11.0	14.0	1.5	25.0	UFX45	336 761 000 <sup>2</sup>
	4.5 - 6.5	11.0	11.0	14.0	1.5	28.0	UFX65	336 762 000 <sup>2</sup>

<sup>2</sup> Not a stock item - contact us for minimum quantities

<sup>3</sup> Shank Ø tolerance: ±0.08

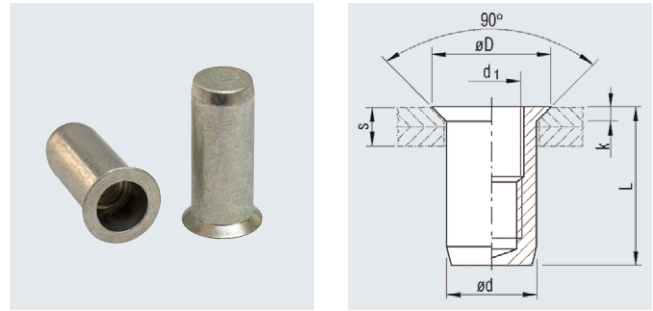
# Tubtara® blind rivet nuts

## Countersunk head 90°

Round shank, closed end

### Material

Steel, Zinktop 480h



Thread d1 6H	Grip range s [mm]	Hole $\varnothing$ +0.1 [mm]	Shank $\varnothing$ d -0.02 -0.15 [mm]	Head $\varnothing$ D 0 -0.5 [mm]	Head height k +0.3 [mm]	Shank length L $\pm$ 0.35 [mm]	Description	Article No.
M 4	1.7 - 3.5	6.0	6.0	9.0	1.5	15.5	UFX35	336 211 950
	3.5 - 5.0	6.0	6.0	9.0	1.5	17.0	UFX50	336 215 950 <sup>2</sup>
M 5	1.7 - 4.0	7.0	7.0	10.0	1.5	18.0	UFX40	336 251 950
	4.0 - 6.5	7.0	7.0	10.0	1.5	20.5	UFX65	336 253 950 <sup>2</sup>
M 6	1.7 - 4.5	9.0	9.0	12.0	1.5	22.0	UFX45	336 701 950
	4.5 - 6.5	9.0	9.0	12.0	1.5	24.0	UFX65	336 702 950 <sup>2</sup>
M 8	1.7 - 4.5	11.0	11.0	14.0	1.5	25.0	UFX45	336 847 950
	4.5 - 6.5	11.0	11.0	14.0	1.5	28.0	UFX65	336 848 950 <sup>2</sup>
M 10	1.7 - 4.5	12.5	12.4**	15.4	1.5	29.5	UFX45	336 992 950

<sup>2</sup> Not a stock item - contact us for minimum quantities

<sup>3</sup> Shank  $\varnothing$  tolerance:  $\pm$ 0.08

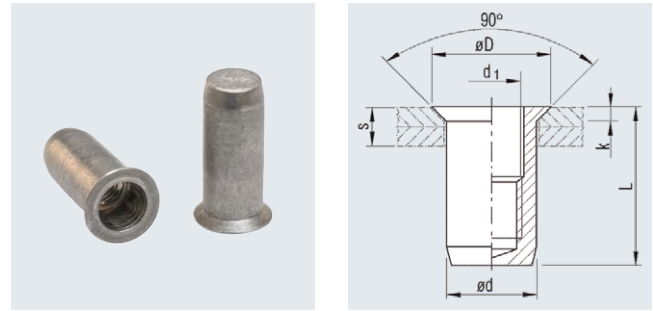
# Tubtara® blind rivet nuts

## Countersunk head 90°

Round shank, closed end

### Material

Stainless steel AISI 304 Cu 1.4567



Thread	Grip range	Hole ø	Shank ø	Head ø	Head height	Shank length	Description	Article No.
<b>d1</b>	<b>s</b>	<b>+0.1</b>	<b>d -0.02 -0.15</b>	<b>D 0 -0.5</b>	<b>k 0 +0.3</b>	<b>L ±0.35</b>		
<b>6H</b>	<b>[mm]</b>	<b>[mm]</b>	<b>[mm]</b>	<b>[mm]</b>	<b>[mm]</b>	<b>[mm]</b>		
M 4	1.2 - 3.0	6.0	6.0	8.0	1.0	16.0	UFX30	334 235 000
M 5	1.2 - 3.5	7.0	7.0	9.0	1.0	18.0	UFX35	334 730 000
M 6	1.7 - 4.5	9.0	9.0	12.0	1.5	24.0	UFX45	334 731 000
	4.5 - 6.5	9.0	9.0	12.0	1.5	26.0	UFX65	334 729 000
M 8	1.7 - 4.5	11.0	11.0	14.0	1.5	25.0	UFX45	334 868 000
	4.5 - 6.5	11.0	11.0	14.0	1.5	27.0	UFX65	334 866 000
M10	1.7 - 4.5	13.0	13.0	16.0	1.5	30.5 <sup>4</sup>	SFX 45	334 867 000
M12	2.0 - 5.5	16.0	16.0	19.0	1.8	37.0	UFX55	334 869 000

<sup>4</sup> Shank length (L) tolerance: ±0.5

# Tubtara® blind rivet nuts

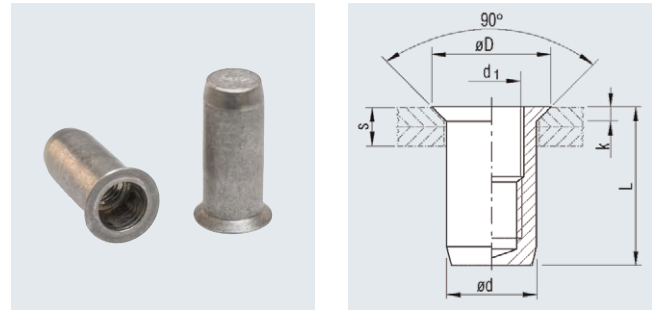
## Countersunk head 90°

Round shank, closed end

### Material

Stainless steel AISI 316 Cu 1.4578

**Exceptionally high corrosion resistance**



Thread	Grip range	Hole ø	Shank ø	Head ø	Head height	Shank length	Description	Article No.
<b>d1</b>	<b>s</b>	<b>+0.1</b>	<b>d -0.02 -0.15</b>	<b>D 0 -0.5</b>	<b>k +0.3</b>	<b>L ±0.35</b>		
<b>6H</b>	<b>[mm]</b>	<b>[mm]</b>	<b>[mm]</b>	<b>[mm]</b>	<b>[mm]</b>	<b>[mm]</b>		
M 4	1.2 - 3.0	6.0	6.0	8.0	1.0	16.0	UFX30	334 227 000
M 5	1.2 - 3.5	7.0	7.0	9.0	1.0	18.0	UFX35	334 228 000
M 6	1.7 - 4.5	9.0	9.0	12.0	1.5	24.0	UFX45	334 229 000
M 8	1.7 - 4.5	11.0	11.0	14.0	1.5	25.0	UFX45	334 230 000
M 10	1.7 - 4.5	13.0	13.0	16.0	1.5	30.5 <sup>4</sup>	SFX45	334 231 000

<sup>4</sup> Shank length (L) tolerance: ±0.5

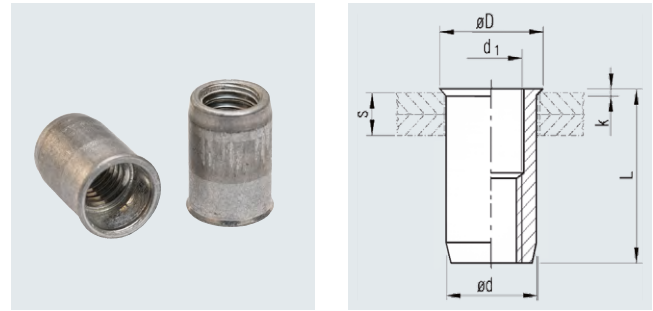
# Tubtara® blind rivet nuts

## Low profile head

Round shank, open end  
 - No need to countersink holes

## Material

Aluminium



Thread	Grip range	Hole ø	Shank ø	Head ø	Head height	Shank length	Description	Article No.
d1	s	+0.1	d -0.02 -0.15	D -0.15 +0.3	k -0.05 +0.3	L ±0.35		
6H	[mm]	[mm]	[mm]	[mm]	[mm]	[mm]		
M 4	0.5 - 3.0	6.0	6.0	6.5	0.5	10.75	UK030	335 443 000
M 5	0.5 - 3.0	7.0	7.0	7.5	0.5	12.0	UK030	335 453 000
M 6	0.5 - 3.0	9.0	9.0	9.5	0.5	14.5	UK030	335 473 000
M 8	0.5 - 3.0	11.0	11.0	11.5	0.5	16.0	UK030	335 483 000

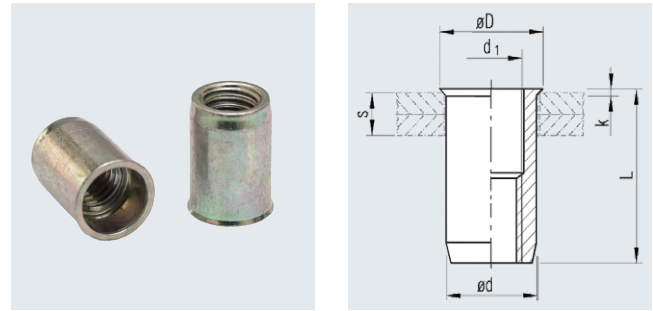
# Tubtara® blind rivet nuts

## Low profile head

Round shank, open end  
- No need to countersink holes

## Material

Steel, Zinktop 480h



Thread	Grip range	Hole $\varnothing$	Shank $\varnothing$	Head $\varnothing$	Head height	Shank length	Description	Article No.
<b>d1</b>	<b>s</b>	<b>+0.1</b>	<b>d -0.02 -0.15</b>	<b>D -0.15 +0.3</b>	<b>k -0.05 +0.3</b>	<b>L <math>\pm</math>0.35</b>		
<b>6H</b>	<b>[mm]</b>	<b>[mm]</b>	<b>[mm]</b>	<b>[mm]</b>	<b>[mm]</b>	<b>[mm]</b>		
M 4	0.5 - 3.0	6.0	6.0	6.5	0.5	10.75	UK030	335 263 950
	3.0 - 5.0	6.0	6.0	6.5	0.5	12.75	UK050	335 264 950
M 5	0.5 - 3.0	7.0	7.0	7.5	0.5	12.0	UK030	335 283 950
	3.0 - 5.5	7.0	7.0	7.5	0.5	15.0	UK055	335 284 950
M 6	0.5 - 3.0	9.0	9.0	9.5	0.5	14.5	UK030	335 293 950
	3.0 - 5.5	9.0	9.0	9.5	0.5	16.5	UK055	335 294 950
M 8	0.5 - 3.0	11.0	11.0	11.5	0.5	16.0	UK030	335 303 950
	3.0 - 5.5	11.0	11.0	11.5	0.5	18.5	UK055	335 304 950
M 10	0.8 - 3.5	12.5	12.4 <sup>3</sup>	12.9	0.5	19.5	UK035	335 313 950

<sup>3</sup> Shank  $\varnothing$  tolerance:  $\pm 0.08$

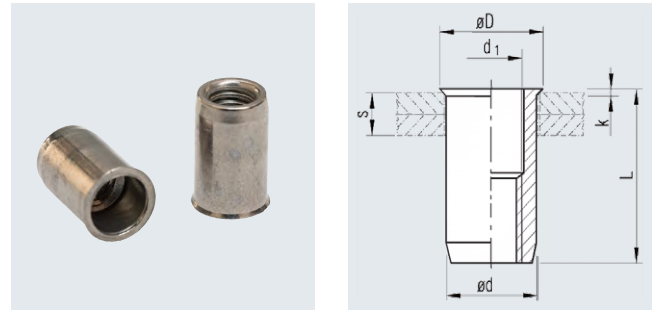
# Tubtara® blind rivet nuts

## Low profile head

Round shank, open end  
- No need to countersink holes

## Material

Stainless steel AISI 304 Cu 1.4567



Thread d1 6H	Grip range s [mm]	Hole ø +0.1 [mm]	Shank ø d -0.02 -0.15 [mm]	Head ø D -0.15 +0.3 [mm]	Head height k -0.05 +0.3 [mm]	Shank length L ±0.35 [mm]	Description	Article No.
M 4	0.5 - 2.0	6.0	6.0	6.5	0.5	11.0	UK020	334 260 000
M 5	0.5 - 3.0	7.0	7.0	7.5	0.5	12.0	UK030	334 283 000
	3.0 - 5.0	7.0	7.0	7.5	0.5	15.0	UK050	334 284 000
M 6	0.5 - 3.0	9.0	9.0	9.5	0.5	14.5	UK030	334 293 000
	3.0 - 5.0	9.0	9.0	9.5	0.5	16.5	UK050	334 294 000
M 8	0.5 - 3.0	11.0	11.0	11.5	0.5	16.0	UK030	334 303 000
	3.0 - 5.5	11.0	11.0	11.5	0.5	18.5	UK055	334 304 000
M 10	0.8 - 3.5	13.0	13.0	13.5	0.5	21.0 <sup>4</sup>	SK035	334 314 000
	3.5 - 6.0	13.0	13.0	13.5	0.5	23.5 <sup>4</sup>	SK060	334 315 000
M12	1.0 - 4.0	16.0	16.0	16.8	0.7	26.0	UK040	334 317 000

<sup>4</sup> Shank length (L) tolerance: ±0.5



# Tubtara® blind rivet nuts

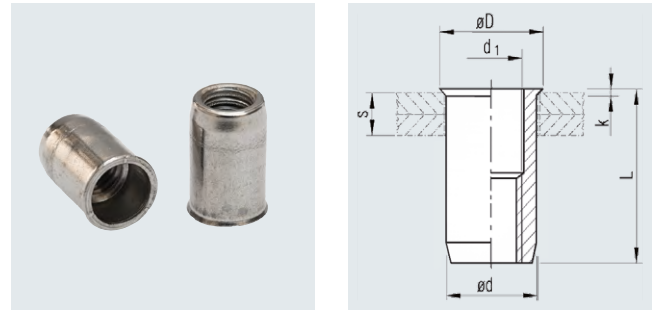
## Low profile head

Round shank, open end  
- No need to countersink holes

## Material

Steel, AISI 316 Cu 1.4578

**Exceptionally high corrosion resistance**



Thread	Grip range	Hole $\varnothing$	Shank $\varnothing$	Head $\varnothing$	Head height	Shank length	Description	Article No.
<b>d1</b>	<b>s</b>	<b>+0.1</b>	<b>d -0.02/-0.15</b>	<b>D -0.15 +0.3</b>	<b>k -0.05 +0.3</b>	<b>L <math>\pm</math>0.35</b>		
<b>6H</b>	<b>[mm]</b>	<b>[mm]</b>	<b>[mm]</b>	<b>[mm]</b>	<b>[mm]</b>	<b>[mm]</b>		
M 4	0.5 - 2.0	6.0	6.0	6.5	0.5	11.0	UK020	334 246 000
M 5	0.5 - 3.0	7.0	7.0	7.5	0.5	12.0	UK030	334 286 000
	3.0 - 5.0	7.0	7.0	7.5	0.5	15.0	UK050	334 287 000
M 6	0.5 - 3.0	9.0	9.0	9.5	0.5	14.5	UK030	334 295 000
	3.0 - 5.0	9.0	9.0	9.5	0.5	16.5	UK050	334 296 000
M 8	0.5 - 3.0	11.0	11.0	11.5	0.5	16.0	UK030	334 306 000
	3.0 - 5.5	11.0	11.0	11.5	0.5	18.5	UK055	334 307 000
M 10	0.8 - 3.5	13.0	13.0	13.5	0.7	21.0 <sup>4</sup>	SK035	334 316 000
	3.5 - 6.0	13.0	13.0	13.5	0.7	23.5 <sup>4</sup>	SK060	334 318 000

<sup>4</sup> Shank length (L) tolerance:  $\pm 0.5$

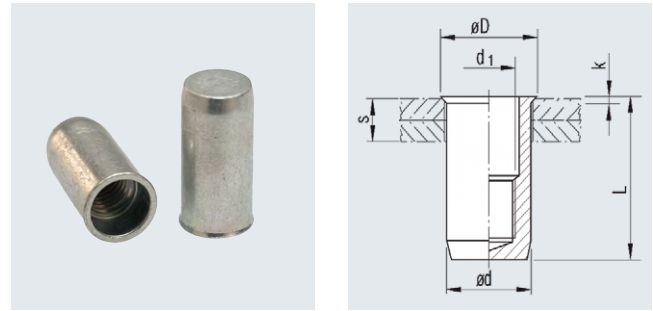
# Tubtara® blind rivet nuts

## Low profile head

Round shank, closed end  
 - No need to countersink holes

## Material

Steel Zinktop 480h



Thread	Grip range	Hole $\varnothing$	Shank $\varnothing$	Head $\varnothing$	Head height	Shank length	Description	Article No.
d1	s	+0.1	d -0.02 -0.15	D -0.15 +0.3	k -0.05 +0.3	L $\pm$ 0.35		
6H	[mm]	[mm]	[mm]	[mm]	[mm]	[mm]		
M 4	0.5 - 3.0	6.0	6.0	6.5	0.5	15.0	UKX30	335 242 950
M 5	0.5 - 3.0	7.0	7.0	7.5	0.5	18.0	UKX30	335 252 950
M 6	0.5 - 3.0	9.0	9.0	9.5	0.5	21.5	UKX30	335 276 950
M 8	0.5 - 3.0	11.0	11.0	11.5	0.5	22.5	UKX30	335 306 950
M 10	0.8 - 3.5	12.5	12.4 <sup>3</sup>	12.9	0.5	28.0	UKX35	335 308 950

<sup>3</sup> Shank  $\varnothing$  tolerance:  $\pm$ 0.08

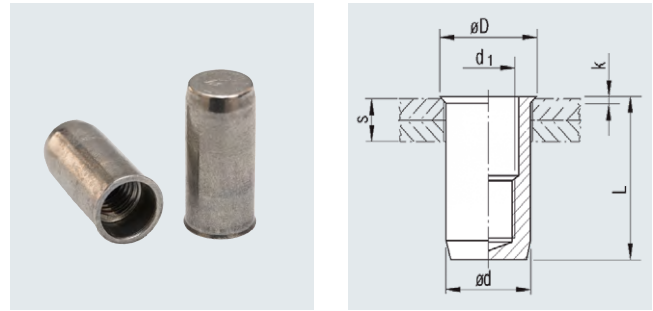
# Tubtara® blind rivet nuts

## Low profile head

Round shank, closed end  
- No need to countersink holes

## Material

Stainless steel AISI 304 Cu 1.4567



Thread	Grip range	Hole $\phi$	Shank $\phi$	Head $\phi$	Head height	Shank length	Description	Article No.
<b>d1</b>	<b>s</b>	<b>+0.1</b>	<b>d -0.02/-0.15</b>	<b>D -0.15 +0.3</b>	<b>k -0.05 +0.3</b>	<b>L <math>\pm</math>0.35</b>		
<b>6H</b>	<b>[mm]</b>	<b>[mm]</b>	<b>[mm]</b>	<b>[mm]</b>	<b>[mm]</b>	<b>[mm]</b>		
M 4	0.5 - 2.0	6.0	6.0	6.5	0.5	15.5	UKX20	334 373 000
M 5	0.5 - 3.0	7.0	7.0	7.5	0.5	18.0	UKX30	334 383 000
M 6	0.5 - 3.0	9.0	9.0	9.5	0.5	21.5	UKX30	334 393 000
M 8	0.5 - 3.0	11.0	11.0	11.5	0.5	24.0	UKX30	334 396 000

# Tubtara® blind rivet nuts

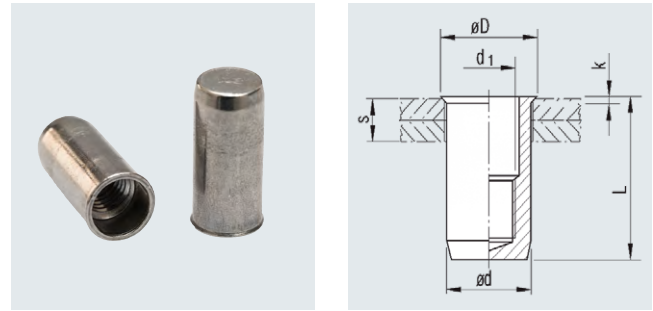
## Low profile head

Round shank, closed end  
 - No need to countersink holes

## Material

Stainless steel AISI 316 Cu 1.4578

**Exceptionally high corrosion resistance**



Thread	Grip range	Hole $\varnothing$	Shank $\varnothing$	Head $\varnothing$	Head height	Shank length	Description	Article No.
<b>d1</b>	<b>s</b>	<b>+0.1</b>	<b>d -0.02/-0.15</b>	<b>D -0.15 +0.3</b>	<b>k -0.05 +0.3</b>	<b>L <math>\pm</math>0.35</b>		
<b>6H</b>	<b>[mm]</b>	<b>[mm]</b>	<b>[mm]</b>	<b>[mm]</b>	<b>[mm]</b>	<b>[mm]</b>		
M 4	0.5 - 2.0	6.0	6.0	6.5	0.5	15.5	UKX20	334 134 000
M 5	0.5 - 3.0	7.0	7.0	7.5	0.5	18.0	UKX30	334 254 000
M 6	0.5 - 3.0	9.0	9.0	9.5	0.5	21.5	UKX30	334 395 000
M 8	0.5 - 3.0	11.0	11.0	11.5	0.5	24.0	UKX30	334 845 000

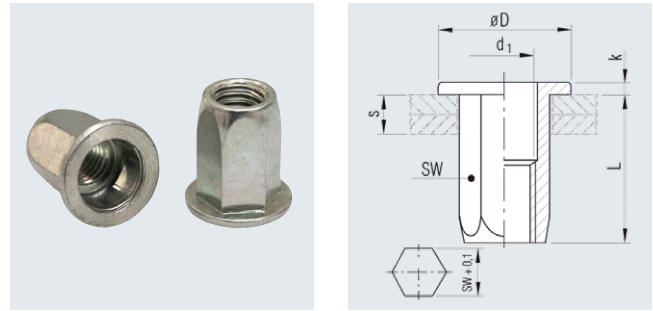
# Tubtara® blind rivet nuts

## Flat head

Hexagonal shank, open end

## Material

Steel Zinktop 480h



Thread <b>d1</b>	Grip range <b>s</b> [mm]	Hex hole $\varnothing$ <b>+0.1</b> [mm]	Hexagonal shank <b>SW -0.02 -0.15</b> [mm]	Head $\varnothing$ <b>D <math>\pm 0.35</math></b> [mm]	Head height <b>k <math>\pm 0.15</math></b> [mm]	Shank length <b>L <math>\pm 0.35</math></b> [mm]	Description	Article No.
M 4	0.5 - 2.0	6.0	6.0	9.0	1.0	10.0	HUP020	339 222 950
M 5	0.5 - 3.0	7.0	7.0	10.0	1.0	13.0	HUP030	339 262 950
	3.0 - 5.5	7.0	7.0	10.0	1.0	15.5	HUP055	339 263 950
M 6	0.5 - 3.0	9.0	9.0	13.0	1.5	14.5	HUP030	339 711 950
	3.0 - 5.5	9.0	9.0	13.0	1.5	16.5	HUP055	339 713 950
M 8	0.5 - 3.0	11.0	11.0	16.0	1.5	16.5	HUP030	339 857 950
	3.0 - 5.5	11.0	11.0	16.0	1.5	19.0	HUP055	339 859 950
	5.5 - 8.0	11.0	11.0	16.0	1.5	22.0	HUP080	339 860 950
M 10	0.8 - 3.5	13.0	13.0	19.0	2.0	21.0	HSP035	339 987 950
	3.5 - 6.0	13.0	13.0	19.0	2.0	23.5	HSP060	339 989 950
M 12 <sup>5</sup>	1.0 - 4.0	16.0	16.0	23.0	2.0	25.0	HUP040	339 998 950

<sup>5</sup> Semi-hexagonal shank

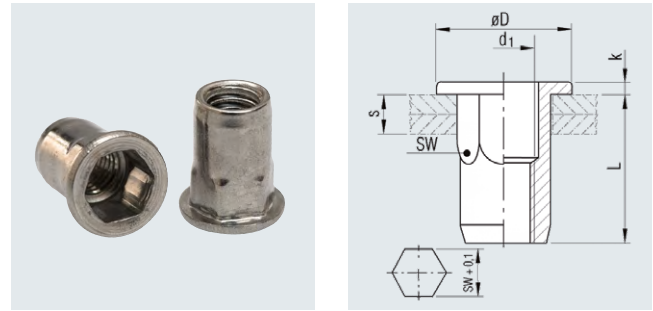
# Tubtara® blind rivet nuts

## Flat head

Semi-hexagonal shank, open end

## Material

Stainless steel AISI 304 Cu 1.4567



Thread	Grip range	Hex hole ø	Hexagonal shank	Head ø	Head height	Shank length	Description	Article No.
d1	s	+0.1	SW -0.02 -0.15	D ±0.35	k ±0.15	L ±0.35		
6H	[mm]	[mm]	[mm]	[mm]	[mm]	[mm]		
M 4	0.5 - 2.0	6.0	6.0	9.0	1.0	11.0	HUP020	334 135 000
	1.0 - 3.0	6.0	6.0	9.0	1.0	12.0	HUP030	334 136 000
M 5	0.5 - 3.0	7.0	7.0	10.0	1.0	11.5	HUP030	334 155 000
	3.0 - 5.0	7.0	7.0	10.0	1.0	13.5	HUP050	334 419 000
M 6	0.5 - 3.0	9.0	9.0	12.0	1.5	14.5	HUP030	334 175 000
	3.0 - 5.0	9.0	9.0	12.0	1.5	16.5	HUP050	334 714 000
M 8	0.5 - 3.0	11.0	11.0	15.0	1.5	16.0	HUP030	334 185 000
	3.0 - 5.5	11.0	11.0	15.0	1.5	18.5	HUP055	334 186 000
M 10	0.8 - 3.5	13.0	13.0	17.0	1.5	21.5 <sup>4</sup>	HSP035	334 196 000
	3.5 - 6.0	13.0	13.0	17.0	1.5	24.0 <sup>4</sup>	HSP060	334 199 000
M12	3.0 - 7.0	16.0	16.0	23.0	2.0	28.0	HUP070	334 200 000

<sup>4</sup> Shank length (L) tolerance: ±0.5

# Tubtara® blind rivet nuts

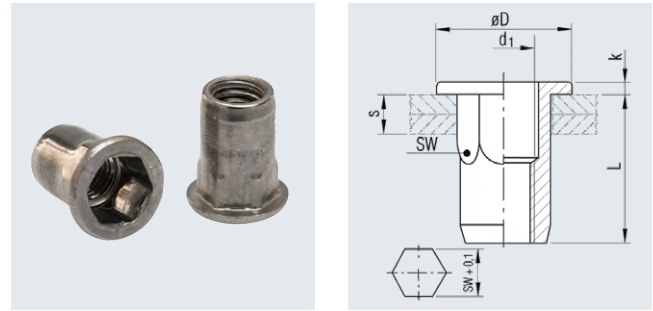
## Flat head

Semi-hexagonal shank, open end

## Material

Stainless steel AISI 316 Cu 1.4578

**Exceptionally high corrosion resistance**



Thread d1	Grip range s [mm]	Hex hole ø +0.1 [mm]	Hexagonal shank SW -0.02 -0.15 [mm]	Head ø D ±0.35 [mm]	Head height k ±0.15 [mm]	Shank length L ±0.35 [mm]	Description	Article No.
M 4	0.5 - 2.0	6.0	6.0	9.0	1.0	11.0	HUP020	334 426 000
M 5	0.5 - 3.0	7.0	7.0	10.0	1.0	11.5	HUP030	334 428 000
	3.0 - 5.0	7.0	7.0	10.0	1.0	13.5	HUP050	334 420 000
M 6	0.5 - 3.0	9.0	9.0	12.0	1.5	14.5	HUP030	334 423 000
	3.0 - 5.0	9.0	9.0	12.0	1.5	16.5	HUP050	334 444 000
M 8	0.5 - 3.0	11.0	11.0	15.0	1.5	16.0	HUP030	334 424 000
	3.0 - 5.5	11.0	11.0	15.0	1.5	18.5	HUP055	334 449 000
M 10	0.8 - 3.5	13.0	13.0	17.0	1.5	21.5 <sup>4</sup>	HSP035	334 430 000
	3.5 - 6.0	13.0	13.0	17.0	1.5	24.0 <sup>4</sup>	HSP060	334 411 000

<sup>4</sup> Shank length (L) tolerance M10-13.0mm: ±0.5

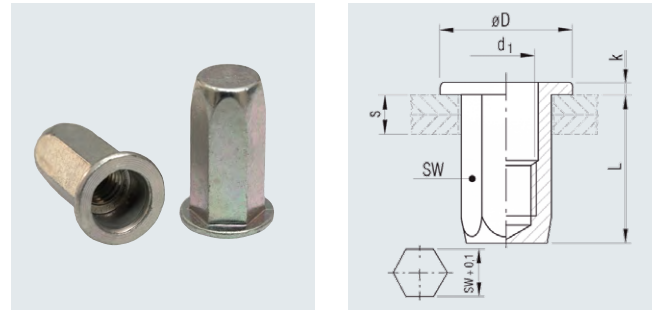
# Tubtara® blind rivet nuts

## Flat head

Hexagonal shank, closed end

## Material

Steel, Zinktop 480h



Thread	Grip range	Hex hole $\varnothing$	Hexagonal shank	Head $\varnothing$	Head height	Shank length	Description	Article No.
<b>d1</b>	<b>s</b>	<b>+0.1</b>	<b>SW -0.02 -0.15</b>	<b>D <math>\pm</math>0.35</b>	<b>k <math>\pm</math>0.15</b>	<b>L <math>\pm</math>0.35</b>		
<b>6H</b>	<b>[mm]</b>	<b>[mm]</b>	<b>[mm]</b>	<b>[mm]</b>	<b>[mm]</b>	<b>[mm]</b>		
M 4	0.5 - 2.0	6.0	6.0	9.0	1.0	14.5	HUPX20	339 202 950
M 5	0.5 - 3.0	7.0	7.0	10.0	1.0	19.0	HUPX30	339 242 950
	3.0 - 5.5	7.0	7.0	10.0	1.0	21.5	HUPX55	339 243 950 <sup>2</sup>
M 6	0.5 - 3.0	9.0	9.0	13.0	1.5	21.5	HUPX30	339 691 950
	3.0 - 5.5	9.0	9.0	13.0	1.5	23.5	HUPX55	339 693 950
M 8	0.5 - 3.0	11.0	11.0	16.0	1.5	24.5	HUPX30	339 837 950
	3.0 - 5.5	11.0	11.0	16.0	1.5	27.0	HUPX55	339 838 950
M 10	0.8 - 3.5	13.0	13.0	19.0	2.0	31.0	HSPX35	339 970 950
	3.0 - 6.0	13.0	13.0	19.0	2.0	33.5	HSPX60	339 971 950

<sup>2</sup> Not a stock item - contact us for minimum quantities



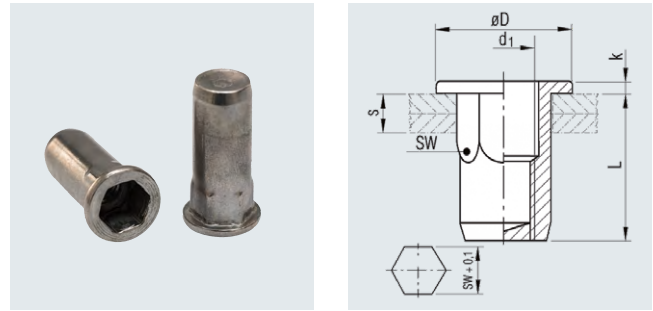
# Tubtara® blind rivet nuts

## Flat head

Semi-hexagonal shank, closed end

## Material

Stainless steel AISI 304 Cu 1.4567



Thread d1	Grip range s [mm]	Hex hole ø +0.1 [mm]	Hexagonal shank SW -0.02 -0.15 [mm]	Head ø D ±0.35 [mm]	Head height k ±0.15 [mm]	Shank length L ±0.35 [mm]	Description	Article No.
M 4	0.5 - 2.0	6.0	6.0	9.0	1.0	15.0	HUPX20	334 425 000
	1.0 - 3.0	6.0	6.0	9.0	1.0	16.0	HUPX30	334 451 000
M 5	0.5 - 3.0	7.0	7.0	10.0	1.0	17.5	HUPX30	334 427 000
	3.0 - 5.0	7.0	7.0	10.0	1.0	19.5	HUPX50	334 452 000
M 6	0.5 - 3.0	9.0	9.0	12.0	1.5	21.5	HUPX30	334 429 000
	3.0 - 5.0	9.0	9.0	12.0	1.5	23.5	HUPX50	334 453 000
M 8	0.5 - 3.0	11.0	11.0	15.0	1.5	23.5	HUPX30	334 431 000
	3.0 - 5.5	11.0	11.0	15.0	1.5	26.0	HUPX55	334 434 000
M 10	0.8 - 3.5	13.0	13.0	17.0	1.5	28.5 <sup>4</sup>	HSPX35	334 432 000
	3.5 - 6.0	13.0	13.0	17.0	1.5	31.0 <sup>4</sup>	HSPX60	334 456 000
M 12	3.0 - 7.0	16.0	16.0	23.0	2.0	38.5	HUPX70	334 457 000

<sup>4</sup> Shank length (L) tolerance: ±0.5

# Tubtara® blind rivet nuts

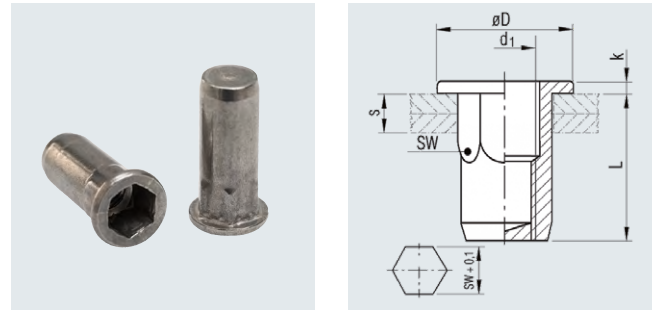
## Flat head

Semi-hexagonal shank, closed end

## Material

Stainless steel AISI 316 Cu 1.4578

**Exceptionally high corrosion resistance**



Thread d1	Grip range s [mm]	Hex hole $\varnothing$ +0.1 [mm]	Hexagonal shank SW -0.02 -0.15 [mm]	Head $\varnothing$ D $\pm 0.35$ [mm]	Head height k $\pm 0.15$ [mm]	Shank length L $\pm 0.35$ [mm]	Description	Article No.
M 4	0.5 - 2.0	6.0	6.0	9.0	1.0	15.0	HUPX20	334 442 000
M 5	0.5 - 3.0	7.0	7.0	10.0	1.0	17.5	HUPX30	334 443 000
	3.0 - 5.0	7.0	7.0	10.0	1.0	19.5	HUPX50	334 505 000
M 6	0.5 - 3.0	9.0	9.0	12.0	1.5	21.5	HUPX30	334 446 000
	3.0 - 5.0	9.0	9.0	12.0	1.5	23.5	HUPX50	334 506 000
M 8	0.5 - 3.0	11.0	11.0	15.0	1.5	23.5	HUPX30	334 447 000
	3.0 - 5.5	11.0	11.0	15.0	1.5	26.0	HUPX55	334 507 000
M 10	0.8 - 3.5	13.0	13.0	17.0	1.5	28.5 <sup>4</sup>	HSPX35	334 508 000
	3.5 - 6.0	13.0	13.0	17.0	1.5	31.0 <sup>4</sup>	HSPX60	334 509 000

<sup>4</sup> Shank length (L) tolerance:  $\pm 0.5$

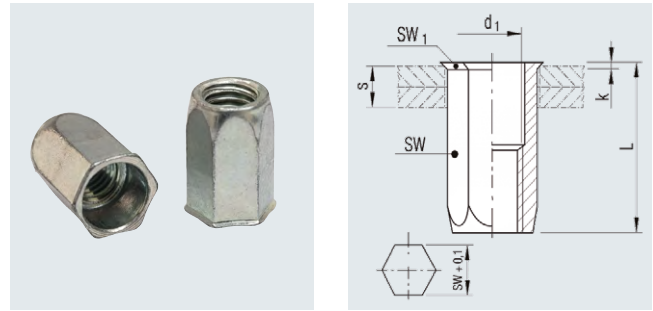
# Tubtara® blind rivet nuts

## Low profile head

Hexagonal shank, open end  
- No need to countersink holes

## Material

Steel, Zinktop 480h



Thread	Grip range	Hex hole $\varnothing$	Hexagonal shank	Head $\varnothing$	Head height	Shank length	Description	Article No.
<b>d1</b>	<b>s</b>	<b>+0.1</b>	<b>SW -0.02 -0.15</b>	<b>D -0.15 +0.3</b>	<b>k -0.05 +0.3</b>	<b>L <math>\pm</math>0.35</b>		
<b>6H</b>	<b>[mm]</b>	<b>[mm]</b>	<b>[mm]</b>	<b>[mm]</b>	<b>[mm]</b>	<b>[mm]</b>		
M 4	0.5 - 2.0	6.0	6.0	6.6	0.6	11.0	HUK020	339 322 950
M 5	0.5 - 3.0	7.0	7.0	7.7	0.6	14.0	HUK030	339 362 950
	3.0 - 5.5	7.0	7.0	7.7	0.6	16.5	HUK055	339 363 950
M 6	0.5 - 3.0	9.0	9.0	9.8	0.7	16.0	HUK030	339 811 950
	3.0 - 5.5	9.0	9.0	9.8	0.7	18.5	HUK055	339 812 950
M 8	0.5 - 3.0	11.0	11.0	11.8	0.7	18.0	HUK030	339 957 950
	3.0 - 5.5	11.0	11.0	11.8	0.7	20.5	HUK055	339 959 950
	5.5 - 8.0	11.0	11.0	11.8	0.7	23.0	HUK080	339 960 950
M 10	0.8 - 3.5	13.0	13.0	13.8	0.7	23.0	HSK035	339 991 950
	3.5 - 6.0	13.0	13.0	13.8	0.7	25.5	HSK060	339 993 950

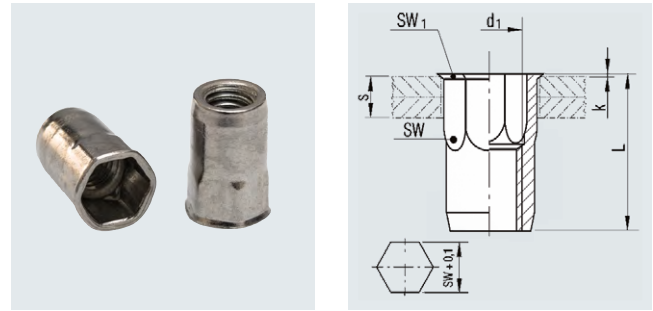
# Tubtara® blind rivet nuts

## Low profile head

Semi-hexagonal shank, open end  
- No need to countersink holes

## Material

Stainless steel AISI 304 Cu 1.4567



Thread	Grip range	Hex hole $\phi$	Hexagonal shank	Head $\phi$	Head height	Shank length	Description	Article No.
<b>d1</b>	<b>s</b>	<b>+0.1</b>	<b>SW -0.02 -0.15</b>	<b>D -0.15 +0.3</b>	<b>k -0.05 +0.3</b>	<b>L <math>\pm</math>0.35</b>		
<b>6H</b>	<b>[mm]</b>	<b>[mm]</b>	<b>[mm]</b>	<b>[mm]</b>	<b>[mm]</b>	<b>[mm]</b>		
M 4	0.5 - 2.0	6.0	6.0	6.5	0.5	11.0	HUK020	334 142 000
	2.0 - 3.0	6.0	6.0	6.5	0.5	12.0	HUK030	334 143 000
M 5	0.5 - 3.0	7.0	7.0	7.5	0.5	12.0	HUK030	334 162 000
	3.0 - 5.0	7.0	7.0	7.5	0.5	14.0	HUK050	334 165 000
M 6	0.5 - 3.0	9.0	9.0	9.7	0.5	14.5	HUK030	334 182 000
	3.0 - 5.0	9.0	9.0	9.7	0.5	16.5	HUK050	334 183 000
	5.0 - 7.0	9.0	9.0	9.7	0.5	18.5	HUK070	334 184 000
M 8	0.5 - 3.0	11.0	11.0	11.8	0.5	16.0	HUK030	334 192 000
	3.0 - 5.5	11.0	11.0	11.8	0.5	18.5	HUK055	334 194 000
	5.5 - 8.0	11.0	11.0	11.8	0.5	21.0	HUK080	334 187 000
M 10	0.8 - 3.5	13.0	13.0	13.8	0.7	21.0 <sup>4</sup>	HSK035	334 197 000
	3.5 - 6.0	13.0	13.0	13.8	0.7	23.5 <sup>4</sup>	HSK060	334 198 000 <sup>2</sup>
M 12	4.0 - 7.0	16.0	16.0	17.5	1.1	28.5	HUK070	334 188 000

<sup>2</sup> Not a stock item - contact us for minimum quantities

<sup>4</sup> Shank length (L) tolerance:  $\pm$ 0.5

# Tubtara® blind rivet nuts

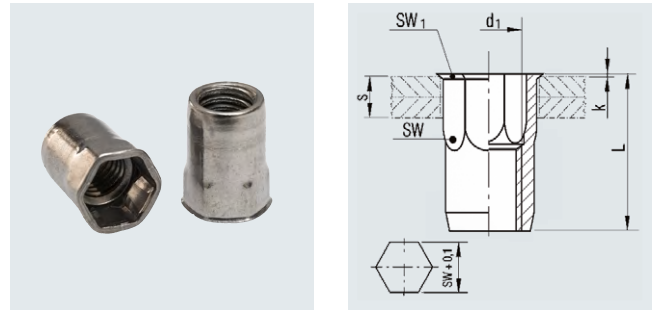
## Low profile head

Semi-hexagonal shank, open end  
- No need to countersink holes

## Material

Stainless steel AISI 316 Cu 1.4578

**Exceptionally high corrosion resistance**



Thread	Grip range	Hex hole $\phi$	Hexagonal shank	Head $\phi$	Head height	Shank length	Description	Article No.
<b>d1</b>	<b>s</b>	<b>+0.1</b>	<b>SW -0.02 -0.15</b>	<b>D -0.15 +0.3</b>	<b>k -0.05 +0.3</b>	<b>L <math>\pm</math>0.35</b>		
<b>6H</b>	<b>[mm]</b>	<b>[mm]</b>	<b>[mm]</b>	<b>[mm]</b>	<b>[mm]</b>	<b>[mm]</b>		
M 4	0.5 - 2.0	6.0	6.0	6.5	0.5	11.0	HUK020	334 412 000
M 5	0.5 - 3.0	7.0	7.0	7.5	0.5	12.0	HUK030	334 438 000
	3.0 - 5.0	7.0	7.0	7.5	0.5	14.0	HUK050	334 510 000
M 6	0.5 - 3.0	9.0	9.0	9.7	0.5	14.5	HUK030	334 433 000
	3.0 - 5.0	9.0	9.0	9.7	0.5	16.5	HUK050	334 511 000
M 8	0.5 - 3.0	11.0	11.0	11.8	0.5	16.0	HUK030	334 435 000
	3.0 - 5.5	11.0	11.0	11.8	0.5	18.5	HUK055	334 512 000
M 10	0.8 - 3.5	13.0	13.0	13.8	0.7	21.0 <sup>4</sup>	HSK035	334 454 000
	3.5 - 6.0	13.0	13.0	13.8	0.7	23.5 <sup>4</sup>	HSK060	334 455 000

<sup>4</sup> Shank length (L) tolerance:  $\pm$ 0.5

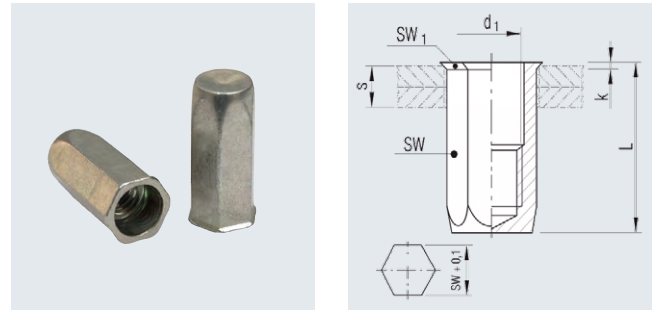
# Tubtara® blind rivet nuts

## Low profile head

Hexagonal shank, closed end  
- No need to countersink holes

## Material

Steel, Zinktop 480h



Thread	Grip range	Hex hole $\varnothing$	Hexagonal shank	Head $\varnothing$	Head height	Shank length	Description	Article No.
<b>d1</b>	<b>s</b>	<b>+0.1</b>	<b>SW -0.02 -0.15</b>	<b>D -0.15 +0.3</b>	<b>k -0.05 +0.3</b>	<b>L <math>\pm</math>0.35</b>		
<b>6H</b>	<b>[mm]</b>	<b>[mm]</b>	<b>[mm]</b>	<b>[mm]</b>	<b>[mm]</b>	<b>[mm]</b>		
M 4	0.5 - 2.0	6.0	6.0	6.6	0.6	15.5	HUKX20	339 422 950
M 5	0.5 - 3.0	7.0	7.0	7.7	0.7	20.0	HUKX30	339 462 950
	3.0 - 5.5	7.0	7.0	7.7	0.7	22.5	HUKX55	339 464 950
M 6	0.5 - 3.0	9.0	9.0	9.8	0.7	22.0	HUKX30	339 911 950
	3.0 - 5.5	9.0	9.0	9.8	0.7	24.5	HUKX55	339 912 950
M 8	0.5 - 3.0	11.0	11.0	11.8	0.7	25.0	HUKX30	339 967 950
	3.0 - 5.5	11.0	11.0	11.8	0.7	27.5	HUKX55	339 968 950
M 10	0.8 - 3.5	13.0	13.0	13.8	0.7	32.0	HSKX35	339 969 950

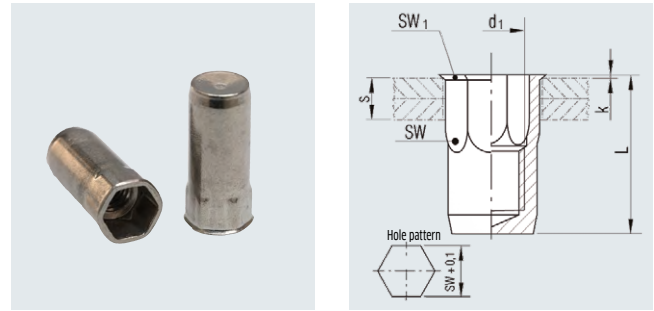
# Tubtara® blind rivet nuts

## Low profile head

Semi-hexagonal shank, closed end  
- No need to countersink holes

## Material

Stainless steel AISI 304 Cu 1.4567



Thread	Grip range	Hex hole $\varnothing$	Hexagonal shank	Head $\varnothing$	Head height	Shank length	Description	Article No.
<b>d1</b>	<b>s</b>	<b>+0.1</b>	<b>SW -0.02 -0.15</b>	<b>D -0.15 +0.3</b>	<b>k -0.05 +0.3</b>	<b>L <math>\pm</math>0.35</b>		
<b>6H</b>	<b>[mm]</b>	<b>[mm]</b>	<b>[mm]</b>	<b>[mm]</b>	<b>[mm]</b>	<b>[mm]</b>		
M 4	0.5 - 2.0	6.0	6.0	6.5	0.5	15.5	HUKX20	334 421 000
	2.0 - 3.0	6.0	6.0	6.5	0.5	16.5	HUKX30	334 459 000
M 5	0.5 - 3.0	7.0	7.0	7.5	0.5	18.0	HUKX30	334 460 000
	3.0 - 5.0	7.0	7.0	7.5	0.5	20.5	HUKX50	334 461 000
M 6	0.5 - 3.0	9.0	9.0	9.7	0.5	21.5	HUKX30	334 462 000
	3.0 - 5.0	9.0	9.0	9.7	0.5	23.5	HUKX50	334 463 000
	5.0 - 7.0	9.0	9.0	9.7	0.5	25.5	HUKX70	334 458 000
M 8	0.5 - 3.0	11.0	11.0	11.8	0.5	24.0	HUKX30	334 466 000
	3.0 - 5.5	11.0	11.0	11.8	0.5	26.5	HUKX55	334 467 000
	5.5 - 8.0	11.0	11.0	11.8	0.5	29.0	HUKX80	334 501 000
M 10	0.8 - 3.5	13.0	13.0	13.8	0.7	29.5 <sup>4</sup>	HSKX35	334 502 000
	3.5 - 6.0	13.0	13.0	13.8	0.7	32.0 <sup>4</sup>	HSKX60	334 503 000
M 12	4.0 - 7.0	16.0	16.0	17.5	1.1	39.0	HUKX70	334 504 000

<sup>4</sup> Shank length (L) tolerance:  $\pm$ 0.5

# Tubtara® blind rivet nuts

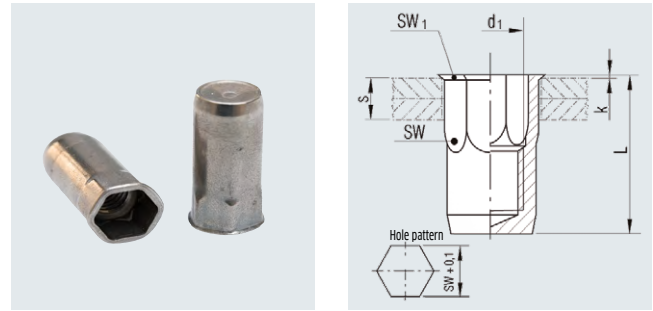
## Low profile head

Semi-hexagonal shank, closed end  
- No need to countersink holes

## Material

Stainless steel AISI 316 Cu 1.4578

**Exceptionally high corrosion resistance**



Thread	Grip range	Hole ø	Shank ø	Head ø	Head height	Shank length	Description	Article No.
d1	s	+0.1	d -0.02 -0.15	D -0.15 +0.3	k -0.05 +0.3	L ±0.35		
6H	[mm]	[mm]	[mm]	[mm]	[mm]	[mm]		
M 4	0.5 - 2.0	6.0	6.0	6.5	0.5	15.5	HUKX20	334 436 000
M 5	0.5 - 3.0	7.0	7.0	7.5	0.5	18.0	HUKX30	334 437 000
	3.0 - 5.0	7.0	7.0	7.5	0.5	20.5	HUKX50	334 448 000
M 6	0.5 - 3.0	9.0	9.0	9.7	0.5	21.5	HUKX30	334 439 000
	3.0 - 5.0	9.0	9.0	9.7	0.5	23.5	HUKX50	334 513 000
M 8	0.5 - 3.0	11.0	11.0	11.8	0.5	24.0	HUKX30	334 441 000
	3.0 - 5.5	11.0	11.0	11.8	0.5	26.5	HUKX55	334 440 000
M 10	0.8 - 3.5	13.0	13.0	13.8	0.7	29.5 <sup>4</sup>	HSKX35	334 514 000
	3.5 - 6.0	13.0	13.0	13.8	0.7	32.0 <sup>4</sup>	HSKX60	334 515 000
M 12	4.0 - 7.0	16.0	16.0	17.5	1.1	39.0	HUKX70	334 516 000

<sup>4</sup> Shank length (L) tolerance: ±0.5



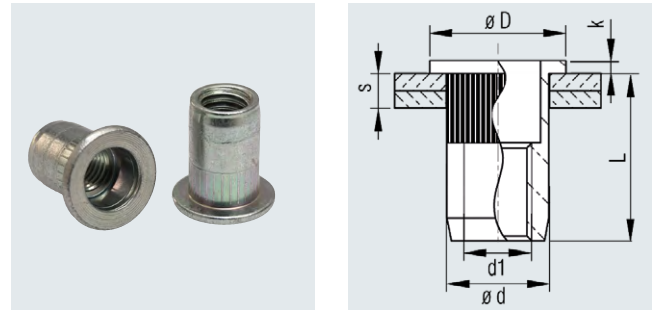
# Tubtara® blind rivet nuts

## Flat head

Round shank with optimised knurl, open end

## Material

Steel, Zinktop 480h



Thread	Grip range	Hole $\varnothing$	Shank $\varnothing$	Head $\varnothing$	Head height	Shank length	Description	Article No.
$d1$	$s$	$+0.1$	$d -0.02 -0.15$	$D \pm 0.35$	$k \pm 0.15$	$L \pm 0.35$		
6H	[mm]	[mm]	[mm]	[mm]	[mm]	[mm]		
M 4	0.5 - 3.0	6.0	6.0	10.0	0.75	10.75	UP030 KN	337 800 950 <sup>2</sup>
	3.0 - 4.5	6.0	6.0	10.0	0.75	12.25	UP045 KN	337 801 950 <sup>2</sup>
M 5	0.5 - 3.0	7.0	7.0	11.0	1.0	12.0	UP030 KN	337 805 950 <sup>2</sup>
	3.0 - 5.5	7.0	7.0	11.0	1.0	15.0	UP055 KN	337 806 950 <sup>2</sup>
M 6	0.5 - 3.0	9.0	9.0	13.0	1.5	14.5	UP030 KN	337 810 950
	3.0 - 5.5	9.0	9.0	13.0	1.5	16.5	UP055 KN	337 811 950 <sup>2</sup>
M 8	0.5 - 3.0	11.0	11.0	16.0	1.5	16.0	UP030 KN	337 815 950
	3.0 - 5.5	11.0	11.0	16.0	1.5	18.5	UP055 KN	337 816 950 <sup>2</sup>
M 10	0.8 - 3.5	13.0	13.0	19.0	2.0	21.0	SP035 KN	337 818 950

<sup>2</sup> Not a stock item - contact us for minimum quantities

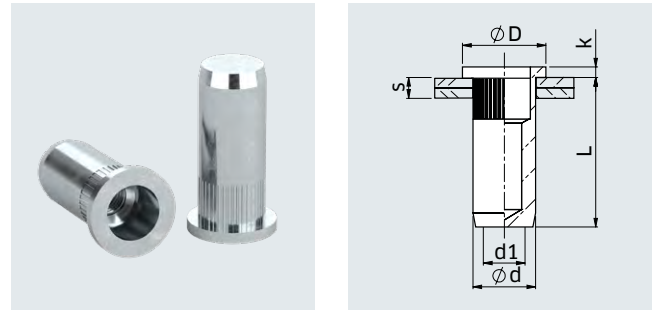
# Tubtara® blind rivet nuts

## Flat head

Round shank with optimised knurl, closed end

## Material

Steel, Zinktop 480h



Thread	Grip range	Hole $\varnothing$	Shank $\varnothing$	Head $\varnothing$	Head height	Shank length	Description	Article No.
<b>d1</b>	<b>s</b>	<b>+0.1</b>	<b>d -0.02 -0.15</b>	<b>D <math>\pm</math>0.35</b>	<b>k <math>\pm</math>0.15</b>	<b>L <math>\pm</math>0.35</b>		
<b>6H</b>	<b>[mm]</b>	<b>[mm]</b>	<b>[mm]</b>	<b>[mm]</b>	<b>[mm]</b>	<b>[mm]</b>		
M 5	0.5 - 3.0	7.0	7.0	11.0	1.0	18.0	UPX30 KN	337 832 950
	3.0 - 5.5	7.0	7.0	11.0	1.0	20.5	UPX55 KN	337 833 950
M 6	0.5 - 3.0	9.0	9.0	13.0	1.5	21.5	UPX30 KN	337 834 950
	3.0 - 5.5	9.0	9.0	13.0	1.5	24.5	UPX55 KN	337 835 950
M 8	0.5 - 3.0	11.0	11.0	16.0	1.5	22.5	UPX30 KN	337 836 950
	3.0 - 5.5	11.0	11.0	16.0	1.5	25.5	UPX55 KN	337 837 950

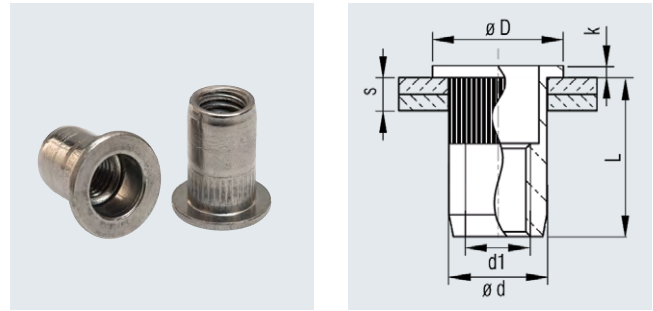
# Tubtara® blind rivet nuts

## Flat head

Round shank with optimised knurl, open end

## Material

Stainless steel AISI 304 Cu 1.4567



Thread d1	Grip range s [mm]	Hole $\phi$ +0.1 [mm]	Shank $\phi$ d -0.02 -0.15 [mm]	Head $\phi$ D $\pm 0.35$ [mm]	Head height k $\pm 0.15$ [mm]	Shank length L $\pm 0.35$ [mm]	Description	Article No.
M4	0.5 - 2.0	6.0	6.0	9.0	1.0	11.0	UP020 KN	334 800 000 <sup>2</sup>
M5	0.5 - 3.0	7.0	7.0	10.0	1.0	11.5	UP030 KN	334 803 000 <sup>2</sup>
	3.0 - 5.0	7.0	7.0	10.0	1.0	15.0	UP050 KN	334 804 000
M6	0.5 - 3.0	9.0	9.0	12.0	1.5	14.5	UP030 KN	334 805 000
	3.0 - 5.0	9.0	9.0	12.0	1.5	16.5	UP050 KN	334 806 000
M8	0.5 - 3.0	11.0	11.0	16.0	1.5	16.0	UP030 KN	334 807 000 <sup>2</sup>
	3.0 - 5.5	11.0	11.0	16.0	1.5	18.5	UP055 KN	334 808 000
M10	0.8 - 3.5	13.0	13.0	17.0	1.5	21.5 <sup>4</sup>	SP035 KN	334 822 000

<sup>2</sup> Not a stock item - contact us for minimum quantities

<sup>4</sup> Shank length (L) tolerance:  $\pm 0.5$

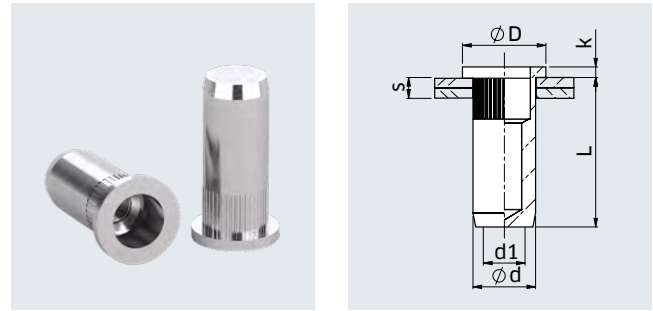
# Tubtara® blind rivet nuts

## Flat head

Round shank with optimised knurl, closed end

## Material

Stainless steel AISI 304 Cu 1.4567



Thread	Grip range	Hole $\varnothing$	Shank $\varnothing$	Head $\varnothing$	Head height	Shank length	Description	Article No.
<b>d1</b>	<b>s</b>	<b>+0.1</b>	<b>d -0.02 -0.15</b>	<b>D <math>\pm</math>0.35</b>	<b>k <math>\pm</math>0.15</b>	<b>L <math>\pm</math>0.35</b>		
<b>6H</b>	<b>[mm]</b>	<b>[mm]</b>	<b>[mm]</b>	<b>[mm]</b>	<b>[mm]</b>	<b>[mm]</b>		
M5	0.5 - 3.0	7.0	7.0	10.0	1.0	17.5	UPX30 KN	334 825 000
M6	0.5 - 3.0	9.0	9.0	12.0	1.5	21.5	UPX30 KN	334 826 000
M8	0.5 - 3.0	11.0	11.0	16.0	1.5	23.5	UPX30 KN	334 827 000

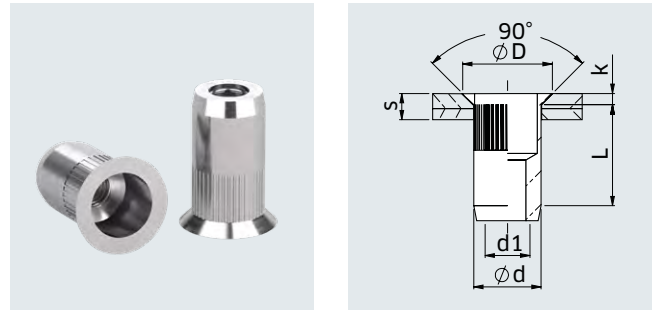
# Tubtara® blind rivet nuts

## Countersunk head 90°

Round shank with optimised knurl, open end

### Material

Stainless steel AISI 304 Cu 1.4567



Thread	Grip range	Hole $\varnothing$	Shank $\varnothing$	Head $\varnothing$	Head height	Shank length	Description	Article No.
<b>d1</b>	<b>s</b>	<b>+0.1</b>	<b>d -0.02 -0.15</b>	<b>D +0 -0.5</b>	<b>k +0.3</b>	<b>L <math>\pm</math>0.35</b>		
<b>6H</b>	<b>[mm]</b>	<b>[mm]</b>	<b>[mm]</b>	<b>[mm]</b>	<b>[mm]</b>	<b>[mm]</b>		
M4	1.2 - 3.0	6.0	6.0	8.0	1.0	12.0	UF030 KN	334 115 000
M5	1.2 - 3.5	7.0	7.0	9.0	1.0	12.0	UF035 KN	334 116 000
M6	1.7 - 4.5	9.0	9.0	12.0	1.5	17.0	UF045 KN	334 117 000
M8	1.7 - 4.5	11.0	11.0	14.0	1.5	17.5	UF045 KN	334 118 000
M10	1.7 - 4.5	13.0	13.0	15.0	1.5	22.5 <sup>4</sup>	SFO45 KN	334 119 000

<sup>4</sup> Shank length (L) tolerance:  $\pm 0.5$

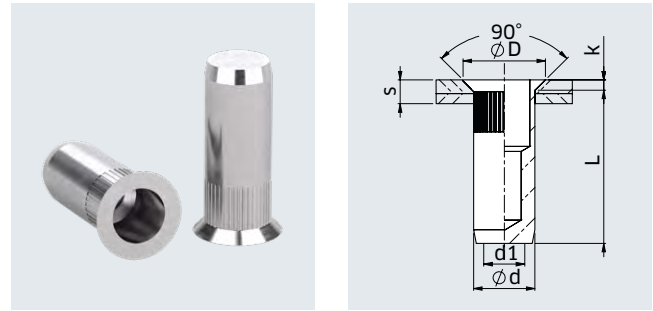
# Tubtara® blind rivet nuts

## Countersunk head 90°

Round shank with optimised knurl, closed end

### Material

Stainless steel AISI 304 Cu 1.4567



Thread	Grip range	Hole ø	Shank ø	Head ø	Head height	Shank length	Description	Article No.
d1	s	+0.1	d -0.02 -0.15	D -0.5	k +0.3	L ±0.35		
6H	[mm]	[mm]	[mm]	[mm]	[mm]	[mm]		
M4	1.2 - 3.0	6.0	6.0	8.0	1.0	16.0	UFX30 KN	334 828 000
M5	1.2 - 3.5	7.0	7.0	9.0	1.0	18.0	UFX35 KN	334 829 000
M6	1.7 - 4.5	9.0	9.0	12.0	1.5	24.0	UFX45 KN	334 830 000
M8	1.7 - 4.5	11.0	11.0	14.0	1.5	25.0	UFX45 KN	334 831 000
M10	1.7 - 4.5	13.0	13.0	15.0	1.5	30.5 <sup>4</sup>	SFX45 KN	334 832 000

<sup>4</sup> Shank length (L) tolerance: ±0.5

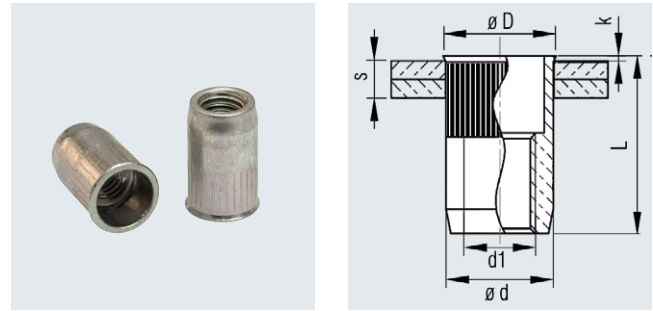
# Tubtara® blind rivet nuts

## Low profile head

Round shank with optimised knurl, open end  
- No need to countersink holes

## Material

Steel, Zinktop 480h



Thread d1	Grip range s	Hole $\varnothing$ +0.1	Shank $\varnothing$ d -0.02 -0.15	Head $\varnothing$ D -0.15 +0.3	Head height k -0.05 +0.3	Shank length L $\pm$ 0.35	Description	Article No.
6H	[mm]	[mm]	[mm]	[mm]	[mm]	[mm]		
M 4	0.5 - 3.0	6.0	6.0	6.5	0.5	10.75	UK030 KN	337 860 950
	3.0 - 5.0	6.0	6.0	6.5	0.5	12.75	UK050 KN	337 861 950 <sup>2</sup>
M 5	0.5 - 3.0	7.0	7.0	7.5	0.5	12.0	UK030 KN	337 862 950
	3.0 - 5.5	7.0	7.0	7.5	0.5	15.0	UK055 KN	337 863 950 <sup>2</sup>
M 6	0.5 - 3.0	9.0	9.0	9.5	0.5	14.5	UK030 KN	337 864 950
	3.0 - 5.5	9.0	9.0	9.5	0.5	16.5	UK055 KN	337 865 950 <sup>2</sup>
M 8	0.5 - 3.0	11.0	11.0	11.5	0.5	16.0	UK030 KN	337 866 950 <sup>2</sup>
	3.0 - 5.5	11.0	11.0	11.5	0.5	18.5	UK055 KN	337 867 950 <sup>2</sup>
M 10	0.8 - 3.5	13.0	13.0	13.8	2.0	19.5	SK035 KN	337 868 950

<sup>2</sup> Not a stock item - contact us for minimum quantities

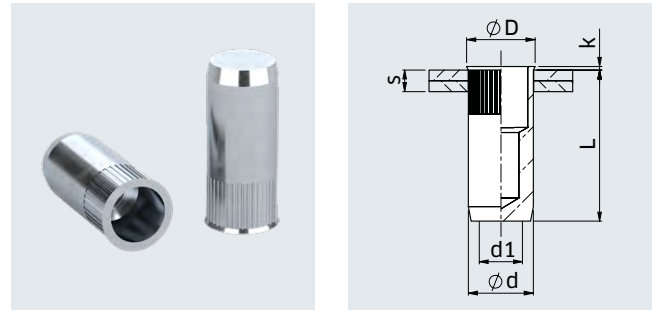
# Tubtara® blind rivet nuts

## Low profile head

Round shank with optimised knurl, closed end  
 - No need to countersink holes

## Material

Steel, Zinktop 480h



Thread	Grip range	Hole $\varnothing$	Shank $\varnothing$	Head $\varnothing$	Head height	Shank length	Description	Article No.
<b>d1</b>	<b>s</b>	<b>+0.1</b>	<b>d -0.02 -0.15</b>	<b>D -0.15 +0.3</b>	<b>k -0.05 +0.3</b>	<b>L <math>\pm</math>0.35</b>		
<b>6H</b>	<b>[mm]</b>	<b>[mm]</b>	<b>[mm]</b>	<b>[mm]</b>	<b>[mm]</b>	<b>[mm]</b>		
M 5	0.5 - 3.0	7.0	7.0	7.5	0.5	18.0	UKX30 KN	337 841 950
	3.0 - 5.5	7.0	7.0	7.5	0.5	20.5	UKX55 KN	337 842 950
M 6	0.5 - 3.0	9.0	9.0	9.5	0.5	21.5	UKX30 KN	337 843 950
	3.0 - 5.5	9.0	9.0	9.5	0.5	24.0	UKX55 KN	337 844 950
M 8	0.5 - 3.0	11.0	11.0	11.5	0.5	22.5	UKX30 KN	337 845 950
	3.0 - 5.5	11.0	11.0	11.5	0.5	25.0	UKX55 KN	337 846 950



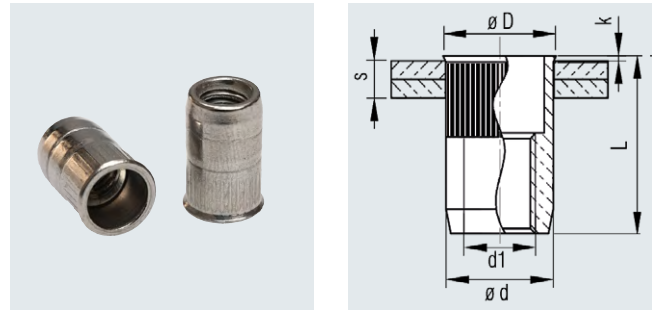
# Tubtara® blind rivet nuts

## Low profile head

Round shank with optimised knurl, open end  
- No need to countersink holes

## Material

Stainless steel AISI 304 Cu 1.4567



Thread d1	Grip range s [mm]	Hole $\varnothing$ +0.1 [mm]	Shank $\varnothing$ d -0.02 -0.15 [mm]	Head $\varnothing$ D -0.15 +0.3 [mm]	Head height k -0.05 +0.3 [mm]	Shank length L $\pm$ 0.35 [mm]	Description	Article No.
M 4	0.5 - 2.0	6.0	6.0	6.5	0.5	11.0	UK020 KN	334 810 000
M 5	0.5 - 3.0	7.0	7.0	7.5	0.5	12.0	UK030 KN	334 812 000
	3.0 - 5.0	7.0	7.0	7.5	0.5	15.0	UK050 KN	- <sup>2</sup>
M 6	0.5 - 3.0	9.0	9.0	9.5	0.5	14.5	UK030 KN	334 814 000
	3.0 - 5.0	9.0	9.0	9.5	0.5	16.5	UK050 KN	- <sup>2</sup>
M 8	0.5 - 3.0	11.0	11.0	11.5	0.5	16.0	UK030 KN	334 816 000
	3.0 - 5.5	11.0	11.0	11.5	0.5	18.5	UK055 KN	- <sup>2</sup>
M 10	0.8 - 3.5	13.0	13.0	13.5	0.5	21.0 <sup>4</sup>	SK035 KN	- <sup>2</sup>

<sup>2</sup> Not a stock item - contact us for minimum quantities

<sup>4</sup> Shank length (L) tolerance:  $\pm$ 0.5

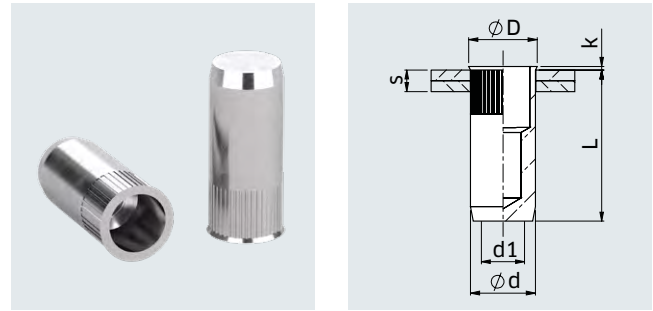
# Tubtara® blind rivet nuts

## Low profile head

Round shank with optimised knurl, closed end  
 - No need to countersink holes

## Material

Stainless steel AISI 304 Cu 1.4567



Thread	Grip range	Hole $\varnothing$	Shank $\varnothing$	Head $\varnothing$	Head height	Shank length	Description	Article No.
<b>d1</b>	<b>s</b>	<b>+0.1</b>	<b>d -0.02 -0.15</b>	<b>D -0.15 +0.3</b>	<b>k -0.05 +0.3</b>	<b>L <math>\pm</math>0.35</b>		
<b>6H</b>	<b>[mm]</b>	<b>[mm]</b>	<b>[mm]</b>	<b>[mm]</b>	<b>[mm]</b>	<b>[mm]</b>		
M 5	0.5 - 3.0	7.0	7.0	7.5	0.5	18.0	UKX30 KN	334 833 000
M 6	0.5 - 3.0	9.0	9.0	9.5	0.5	21.5	UKX30 KN	334 834 000
M 8	0.5 - 3.0	11.0	11.0	11.5	0.5	24.0	UKX30 KN	334 835 000

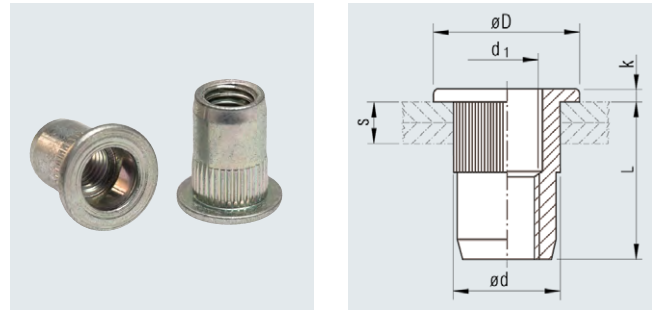
# Tubtara® blind rivet nuts

## Flat head

Round shank, knurled, open end

## Material

Steel, Zinktop 480h



Thread	Grip range	Hole $\varnothing$	Shank $\varnothing$	Head $\varnothing$	Head height	Shank length	Description	Article No.
$d_1$	$s$	$+0.1$	$d \pm 0.08$	$D \pm 0.35$	$k \pm 0.15$	$L \pm 0.35$		
6H	[mm]	[mm]	[mm]	[mm]	[mm]	[mm]		
M 4	0.5 - 3.0	6.4	6.3	10.0	0.75	10.75	UP030 RS	337 900 950
	3.0 - 4.5	6.4	6.3	10.0	0.75	12.25	UP045 RS	337 901 950 <sup>2</sup>
M 5	0.5 - 3.0	7.4	7.3	11.0	1.0	12.0	UP030 RS	337 905 950
	3.0 - 5.5	7.4	7.3	11.0	1.0	15.0	UP055 RS	337 906 950
M 6	0.5 - 3.0	9.4	9.3	13.0	1.5	14.5	UP030 RS	337 910 950
	3.0 - 5.5	9.4	9.3	13.0	1.5	16.5	UP055 RS	337 911 950
M 8	0.5 - 3.0	11.5	11.4	16.0	1.5	16.0	UP030 RS	337 915 950
	3.0 - 5.5	11.5	11.4	16.0	1.5	18.5	UP055 RS	337 916 950
M 10	0.8 - 3.5	13.0	12.9	18.5	2.3	19.75	UP035 RS	337 920 950
	3.5 - 6.0	13.0	12.9	18.5	2.3	22.75	UP060 RS	337 921 950

<sup>2</sup> Not a stock item - contact us for minimum quantities

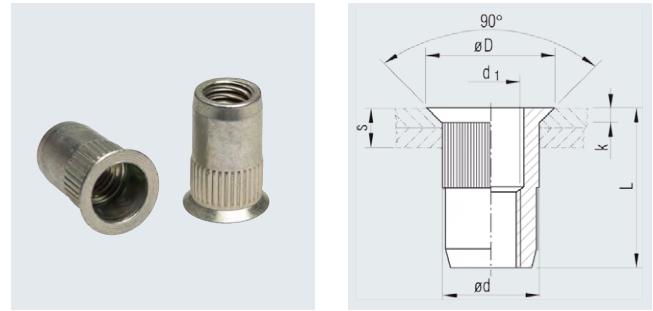
# Tubtara® blind rivet nuts

## Countersunk head 90°

Round shank, knurled, open end

### Material

Steel, Zinktop 480h

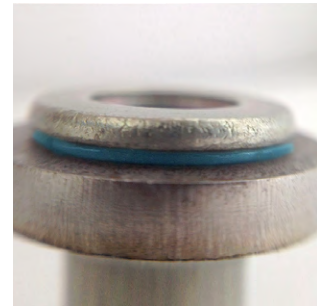
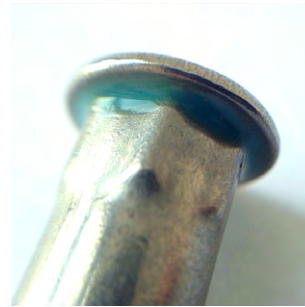
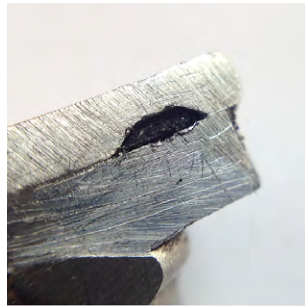


Thread	Grip range	Hole $\varnothing$	Shank $\varnothing$	Head $\varnothing$	Head height	Shank length	Description	Article No.
<b>d1</b>	<b>s</b>	<b>+0.1</b>	<b>d <math>\pm 0.08</math></b>	<b>D 0 -0.5</b>	<b>k 0 +0.3</b>	<b>L <math>\pm 0.35</math></b>		
<b>6H</b>	<b>[mm]</b>	<b>[mm]</b>	<b>[mm]</b>	<b>[mm]</b>	<b>[mm]</b>	<b>[mm]</b>		
M 4	1.7 - 3.5	6.4	6.3	9.0	1.5	11.5	UF035 RS	337 930 950 <sup>2</sup>
	3.5 - 5.0	6.4	6.3	9.0	1.5	13.0	UF050 RS	337 931 950 <sup>2</sup>
M 5	1.7 - 4.0	7.4	7.3	10.0	1.5	13.0	UF040 RS	337 935 950
	4.0 - 6.5	7.4	7.3	10.0	1.5	16.0	UF065 RS	337 936 950 <sup>2</sup>
M 6	1.7 - 4.5	9.4	9.3	12.0	1.5	17.0	UF045 RS	337 940 950
	4.5 - 6.5	9.4	9.3	12.0	1.5	19.0	UF065 RS	337 941 950
M 8	1.7 - 4.5	11.5	11.4	14.0	1.5	19.0	UF045 RS	337 945 950
	4.5 - 6.5	11.5	11.4	14.0	1.5	21.0	UF065 RS	337 946 950
M 10	1.7 - 4.5	13.0	12.9	15.4	1.5	21.0	UF045 RS	337 950 950
	4.5 - 6.5	13.0	12.9	15.4	1.5	23.0	UF065 RS	337 951 950

<sup>2</sup> Not a stock item - contact us for minimum quantities

# Tubtara® fasteners with seal

## Trusted, low-maintenance, watertight



### Watertight HX closed-end Tubtara® fasteners with O-ring seal (mechanical)

- Large flanged head with a cylindrical groove and O-ring seal mounted underneath
- The seal slides into the groove and – regardless of the setting force – is compressed between the head and the plate during installation.
- Metal-to-metal contact after setting for spin-out resistance.
- The closed-end hexagonal shank (HX) guards against potential burr and sharp hole edges.
- The seal is fully protected against UV light influence.
- Excellent protection against the ingress of fluids, moisture, oil, or dirt, even when subjected to high pressure of at least 10 bar.
- Various seal materials available, such as Viton, EPDM or silicone.
- IP 68 guaranteed under in-house testing conditions.

### Watertight (H)DPX Tubtara® with applied sealant under head (chemical)

- Non-reactive peripheral seal made of flexible organic-based material, applied under the head
- The seal material is gap filling, forming a robust seal between the mating surfaces
- Slight variations in seal thickness may influence head height and grip range
- The seal is resistant to many automotive oils, antifreeze and transmission fluids
- Can be applied on stocked standard Tubtara® parts (all materials and shank types)
- IP 67 guaranteed under in-house testing conditions.

Seal type	Seal material	Seal colour	Head type	IP rating	Temperature range	Sealing capacity	UV-shielded	Shore hardness	Standard - ST / on request
HX	NBR	black	large HX	IP 681	-30°C +120°C	tested to 10 bar: IP 68 <sup>1</sup>	YES	approx. 70	ST
HX	EPDM	black	large HX	IP 681	-50°C +120°C	tested to 10 bar: IP 68 <sup>1</sup>	YES	approx. 70	on req.
HX	Viton	black	large HX	IP 681	-20° +200°C	tested to 10 bar: IP 68 <sup>1</sup>	YES	approx. 70	on req.
D1	polyurethane resin	blue	P, F <sup>3</sup>	IP 671	-40°C +100°C (max. +150°C)	> 150 bar	NO	approx. 50 A	ST
D2	polyurethane acrylate	green	P, F <sup>3</sup>	IP 67 <sup>1</sup>	-40°C +100°C	> 150 bar	NO	50 - 65 A	on req.
D3	silicone	red	P, F <sup>3</sup>	IP 67 <sup>2</sup>	-50°C +300°C	> 150 bar	NO	43 A	on req.
D4	acrylate	light blue	K <sup>3</sup>	IP 34 - IP 67 <sup>2</sup>	-60°C +160°C	low (weak seal)	NO		on req.
D5	epoxy-based	yellow	P, F <sup>3</sup>	IP 67 <sup>2</sup>	-40°C +150°C	> 150 bar	NO	50 D	on req.

<sup>1</sup> Under Dejong testing conditions

<sup>2</sup> Depending on hole and handling quality, subject to testing

<sup>3</sup> P: flat head - F: countersunk head, subject to testing - K: low profile head

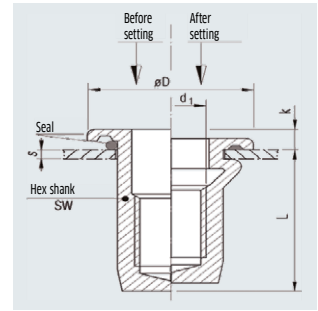
# Tubtara® blind rivet nuts

## Flat head

Full-hexagonal shank with seal, closed end  
IP rating: IP68

## Material

Steel, Zinktop 480h



Thread	Grip range	Hex hole $\varnothing$	Hexagonal shank	Head $\varnothing$	Head height	Shank length	Description	Article No.
<b>d1</b>	<b>s</b>	<b>+0.1</b>	<b>SW -0.02 -0.15</b>	<b>D <math>\pm 0.35</math></b>	<b>k <math>\pm 0.15</math></b>	<b>L <math>\pm 0.35</math></b>		
<b>6H</b>	<b>[mm]</b>	<b>[mm]</b>	<b>[mm]</b>	<b>[mm]</b>	<b>[mm]</b>	<b>[mm]</b>		
M5	0.5 - 3.0	7.0	7.0	12.5	1.5	19.0	HX 3001	339 245 950 <sup>2</sup>
M6	0.5 - 3.0	9.0	9.0	15.0	1.5	21.5	HX 3001	339 695 950
	3.0 - 5.5	9.0	9.0	15.0	1.5	23.5	HX 5501	339 696 950 <sup>2</sup>
M8	0.5 - 3.0	11.0	11.0	20.0	2.0	26.7	HX 3001	339 850 950
	3.0 - 6.0	11.0	11.0	20.0	2.0	29.7	HX 6001	339 851 950 <sup>2</sup>
	6.0 - 8.0	11.0	11.0	20.0	2.0	31.7	HX 8001	339 852 950

<sup>2</sup> Not a stock item - contact us for minimum quantities

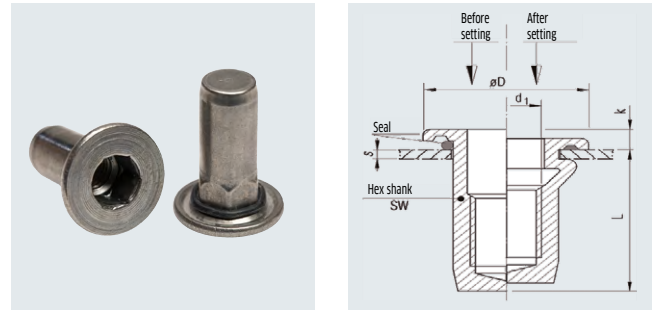
# Tubtara® blind rivet nuts

## Flat head

Full-hexagonal shank with seal, closed end  
IP rating: IP68

## Material

Stainless steel AISI 304 Cu 1.4567



Thread	Grip range	Hex hole $\varnothing$	Hexagonal shank	Head $\varnothing$	Head height	Shank length	Description	Article No.
<b>d1</b>	<b>s</b>	<b>+0.1</b>	<b>SW -0.02 -0.15</b>	<b>D <math>\pm</math>0.35</b>	<b>k <math>\pm</math>0.15</b>	<b>L <math>\pm</math>0.35</b>		
<b>6H</b>	<b>[mm]</b>	<b>[mm]</b>	<b>[mm]</b>	<b>[mm]</b>	<b>[mm]</b>	<b>[mm]</b>		
M5	0.5-3.0	7.0	7.0	13.5	1.5	19.0	HX 3001	334 080 000
M6	0.5-3.0	9.0	9.0	16.0	1.5	21.5	HX 3001	334 082 000
M8	0.5-3.0	11.0	11.0	21.0	2.0	25.0	HX 3001	334 084 000

# Tubtara® blind rivet nuts

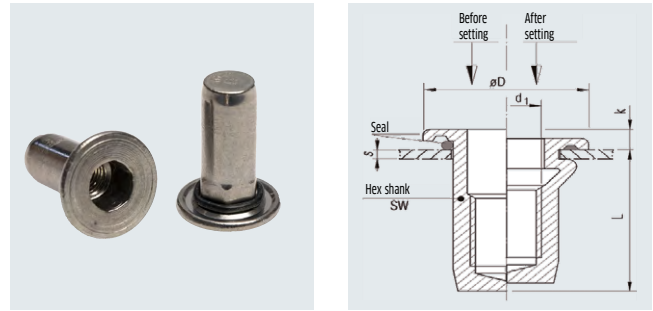
## Flat head

Semi-hexagonal shank with seal, closed end  
IP rating: IP68

## Material

Stainless steel AISI 316 Cu 1.4578

**Exceptionally high corrosion resistance**



Thread	Grip range	Hex hole $\phi$	Hexagonal shank	Head $\phi$	Head height	Shank length	Description	Article No.
<b>d1</b>	<b>s</b>	<b>+0.1</b>	<b>SW -0.02 -0.15</b>	<b>D <math>\pm 0.35</math></b>	<b>k <math>\pm 0.15</math></b>	<b>L <math>\pm 0.35</math></b>		
<b>6H</b>	<b>[mm]</b>	<b>[mm]</b>	<b>[mm]</b>	<b>[mm]</b>	<b>[mm]</b>	<b>[mm]</b>		
M5	0.5 - 3.0	7.0	7.0	13.5	1.5	19.0	HX 3001	334 090 000 <sup>2</sup>
M6	0.5 - 3.0	9.0	9.0	16.0	1.5	21.5	HX 3001	334 092 000 <sup>2</sup>
	2.0 - 4.5	9.0	9.0	16.0	1.5	21.5	HX 4501	334 093 000
M8	0.5 - 3.0	11.0	11.0	21.0	2.0	25.0	HX 3001	334 094 000 <sup>2</sup>

<sup>2</sup> Not a stock item - contact us for minimum quantities



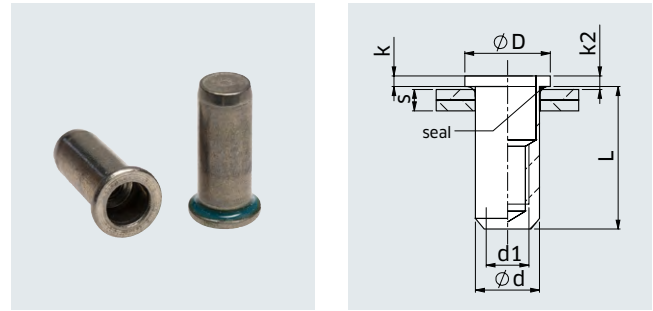
# Tubtara® blind rivet nuts

## Flat head with seal

Round shank, closed end  
IP rating: IP67

### Material

Stainless steel AISI 304 Cu 1.4567



Thread	Grip range	Hole $\phi$	Shank $\phi$	Head $\phi$	Head height	Head height	Shank length	Description	Article No.
d1	s	+0.1	d -0.02 -0.15	D $\pm$ 0.35	k $\pm$ 0.15	k2	L $\pm$ 0.35		
6H	[mm]	[mm]	[mm]	[mm]	[mm]	[mm]	[mm]		
M 4	0.5 - 1.5	6.0	6.0	9.0	1.0	1.3	15.0	DPX15	334 055 000
M 5	0.5 - 2.5	7.0	7.0	10.0	1.0	1.3	17.5	DPX25	334 056 000
	2.5 - 4.5	7.0	7.0	10.0	1.0	1.3	19.5	DPX45	334 057 000
M 6	0.5 - 2.5	9.0	9.0	12.0	1.5	1.9	21.5	DPX25	334 058 000
	2.5 - 4.5	9.0	9.0	12.0	1.5	1.9	23.5	DPX45	334 059 000
M 8	0.5 - 2.5	11.0	11.0	15.0	1.5	2.0	23.5	DPX25	334 060 000
	2.5 - 5.0	11.0	11.0	15.0	1.5	2.0	26.0	DPX50	334 061 000

#### Note 1:

IP 67 possible under ideal conditions

#### Note 2:

K2 is for reference purposes only - the type of seal, size of hole, setting force and other factors significantly impact dimension K2

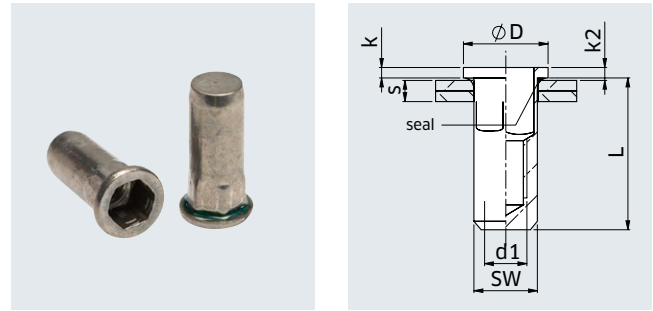
# Tubtara® blind rivet nuts

## Flat head with seal

Semi-hexagonal shank, closed end  
IP rating: IP67

### Material

Stainless steel AISI 304 Cu 1.4567



Thread	Grip range	Hex hole $\phi$	Hexagonal shank	Head $\phi$	Head height	Head height	Shank length	Description	Article No.
d1	s	+0.1	SW -0.02 -0.15	D $\pm 0.35$	k $\pm 0.15$	k2	L $\pm 0.35$		
6H	[mm]	[mm]	[mm]	[mm]	[mm]	[mm]	[mm]		
M 4	0.5 - 1.5	6.0	6.0	9.0	1.0	1.3	15.0	HDPX15	334 062 000
M 5	0.5 - 2.0	7.0	7.0	10.0	1.0	1.3	17.5	HDPX20	334 063 000
M 6	0.5 - 2.0	9.0	9.0	12.0	1.5	1.9	21.5	HDPX20	334 064 000
	2.0 - 4.0	9.0	9.0	12.0	1.5	1.9	23.5	HDPX40	334 065 000
M 8	0.5 - 2.0	11.0	11.0	15.0	1.5	2.0	23.5	HDPX20	334 066 000
	2.0 - 4.5	11.0	11.0	15.0	1.5	2.0	26.0	HDPX45	334 067 000

**Note 1:**

IP 67 possible under ideal conditions

**Note 2:**

K2 is for reference purposes only - the type of seal, size of hole, setting force and other factors significantly impact dimension K2

# Tubtara® blind rivet nuts

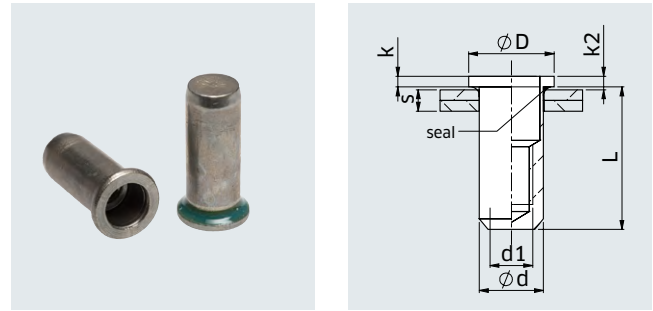
## Flat head with seal

Round shank, closed end  
IP rating: IP67

### Material

Stainless steel AISI 316 Cu 1.4578

**Exceptionally high corrosion resistance**



Thread	Grip range	Hole $\phi$	Shank $\phi$	Head $\phi$	Head height	Head height	Shank length	Description	Article No.
d1	s	+0.1	d -0.02 -0.15	D $\pm$ 0.35	k $\pm$ 0.15	k2	L $\pm$ 0.35		
6H	[mm]	[mm]	[mm]	[mm]	[mm]	[mm]	[mm]		
M 4	0.5 - 1.5	6.0	6.0	9.0	1.0	1.3	15.0	DPX15	334 048 000
M 5	0.5 - 2.5	7.0	7.0	10.0	1.0	1.3	17.5	DPX25	334 049 000
	2.5 - 4.5	7.0	7.0	10.0	1.0	1.3	19.5	DPX45	334 050 000
M 6	0.5 - 2.5	9.0	9.0	12.0	1.5	1.9	21.5	DPX25	334 051 000
M 8	0.5 - 2.5	11.0	11.0	15.0	1.5	2.0	23.5	DPX25	334 052 000

### Note 1:

IP 67 possible under ideal conditions

### Note 2:

K2 is for reference purposes only - the type of seal, size of hole, setting force and other factors significantly impact dimension K2

# Tubtara® blind rivet nuts

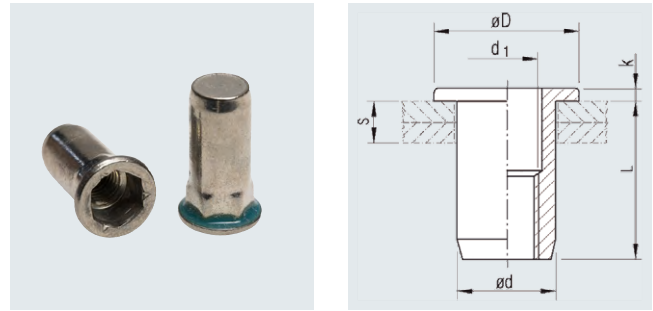
## Flat head with seal

Semi-hexagonal shank, closed end  
IP rating: IP67

### Material

Stainless steel AISI 316 Cu 1.4578

**Exceptionally high corrosion resistance**



Thread	Grip range	Hex hole ø	Hexagonal shank	Head ø	Head height	Head height	Shank length	Description	Article No.
d1	s	+0.1	SW -0.02 -0.15	D ±0.35	k ±0.15	k2	L ±0.35		
6H	[mm]	[mm]	[mm]	[mm]	[mm]	[mm]	[mm]		
M 4	0.5 - 1.5	6.0	6.0	9.0	1.0	1.3	15.0	HDPX15	334 042 000
M 5	0.5 - 2.0	7.0	7.0	10.0	1.0	1.3	17.5	HDPX20	334 043 000
M 6	0.5 - 2.0	9.0	9.0	12.0	1.5	1.9	21.5	HDPX20	334 044 000
	2.0 - 4.0	9.0	9.0	12.0	1.5	1.9	23.5	HDPX40	334 045 000
M 8	0.5 - 2.0	11.0	11.0	15.0	1.5	2.0	23.5	HDPX20	334 046 000
	2.0 - 4.5	11.0	11.0	15.0	1.5	2.0	26.0	HDPX45	334 047 000

### Note 1:

IP 67 possible under ideal conditions

### Note 2:

K2 is for reference purposes only - the type of seal, size of hole, setting force and other factors significantly impact dimension K2

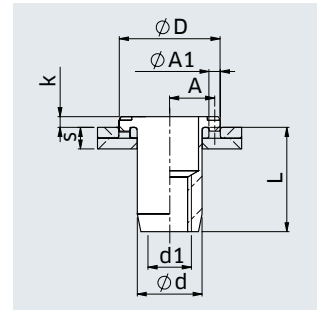
# Tubtara® blind rivet nuts

## Anti-turn flat head - the easy repair solution

Round shank, open end  
 Special anti-rotation head  
 Extra-high torque-to-turn values

### Material

Steel, Zinktop 480h



Thread	Grip range	Hole ø	Shank ø	Head ø	Head height	Tool to position	Shank length	T	Description	Article No.
d1	s	+0.1	d -0.02 -0.15	D ±0.35	k ±0.15	ø A	L ±0.35			
6H	[mm]	[mm]	[mm]	[mm]	[mm]	[mm]	[mm]	[mm]		
M 6	0.5 - 3.0	9.0	9.0	14.0	1.5	1.8	14.5	6.25	AT030	337001950
M 8	0.5 - 3.0	11.0	11.0	17.0	2.0	2.3	16.0	7.50	AT030	337003950
M 10	0.8 - 3.5	13.0	13.0	19.0	2.0	3.0	21.0 <sup>4</sup>	8.75	AT035	337005950

<sup>4</sup> Shank length (L) tolerance: ±0.5

## Repair tool

Thread	Description	GTO Art. No.
M6	AT 206	349 010 000
M8	AT 208	349 011 000
M10	AT 210	349 012 000

Samples available from stock

Non-stock item: minimum order quantity required after depletion of stock



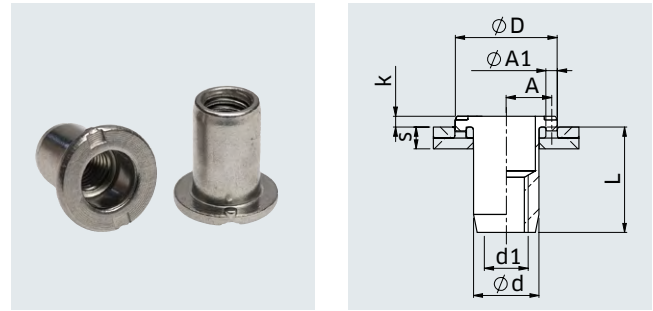
# Tubtara® blind rivet nuts

## Anti-turn flat head - the easy repair solution

Round shank, open end  
 Special anti-rotation head  
 Extra-high torque-to-turn values

### Material

Stainless steel AISI 304 Cu 1.4567



Thread	Grip range	Hole ø	Shank ø	Head ø	Head height	Tool to position	Shank length		Description	Article No.
d1	s	+0.1	d -0.02 -0.15	D ±0.35	k ±0.15	ø A	L ±0.35	T		
6H	[mm]	[mm]	[mm]	[mm]	[mm]	[mm]	[mm]	[mm]		
M 6	0.5 - 3.0	9.0	9.0	14.0	1.5	1.8	14.5	6.25	AT030	334 076 000
M 8	0.5 - 3.0	11.0	11.0	17.0	2.0	2.3	16.0	7.50	AT030	334 077 000
	3.0 - 5.5	11.0	11.0	17.0	2.0	2.3	18.5	7.50	AT055	334 078 000
M 10	0.8 - 3.5	13.0	13.0	19.0	2.0	3.0	21.0 <sup>4</sup>	8.75	AT035	334 079 000

<sup>4</sup> Shank length (L) tolerance: ±0.5

### Repair tool

Thread	Description	GTO Art. No.
M6	AT 206	349 010 000
M8	AT 208	349 011 000
M10	AT 210	349 012 000

Samples available from stock

Non-stock item: minimum order quantity required after depletion of stock



# Tubtara® blind rivet nuts

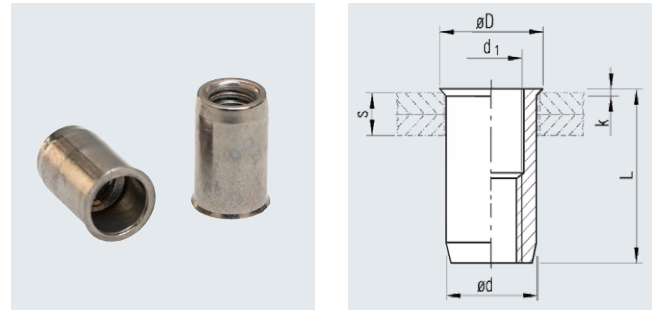
## Low profile head

Round shank, open end

- Thread UNF/UNC
- No need to countersink holes

## Material

Stainless steel AISI 304 Cu 1.4567



Thread	Grip range	Hole ø	Shank ø	Head ø	Head height	Shank length	Description	Article No.
<b>d1</b>	<b>s</b>	<b>+0.1</b>	<b>d -0.02 -0.15</b>	<b>D -0.15 +0.3</b>	<b>k -0.05 +0.3</b>	<b>L ±0.35</b>		
<b>6H</b>	<b>[mm]</b>	<b>[mm]</b>	<b>[mm]</b>	<b>[mm]</b>	<b>[mm]</b>	<b>[mm]</b>		
10-32 UNF	0.5 - 3.0	7.0	7.0	7.5	0.5	12.0	UK030	334 003 000
1/4-20 UNC	0.5 - 3.0	9.0	9.0	9.5	0.5	14.5	UK030	334 004 000
5/16-18 UNC	0.5 - 3.0	11.0	11.0	11.5	0.5	16.0	UK030	334 005 000

# Tubtara® blind rivet nuts

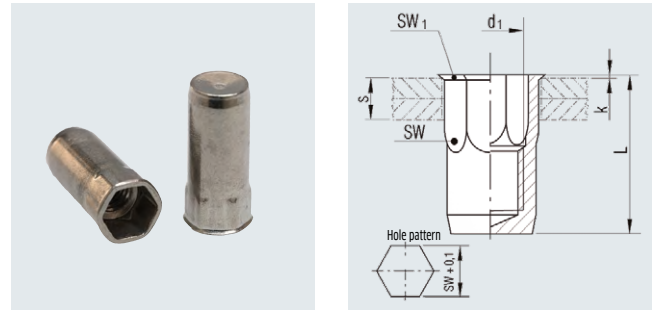
## Low profile head

Semi-hexagonal shank, open end

- Thread UNF/UNC
- No need to countersink holes

## Material

Stainless steel AISI 304 Cu 1.4567



Thread	Grip range	Hex hole $\varnothing$	Hexagonal shank	Head $\varnothing$	Head height	Shank length	Description	Article No.
<b>d1</b>	<b>s</b>	<b>+0.1</b>	<b>SW -0.02 -0.15</b>	<b>D -0.15 +0.3</b>	<b>k -0.05 +0.3</b>	<b>L <math>\pm</math>0.35</b>		
<b>6H</b>	<b>[mm]</b>	<b>[mm]</b>	<b>[mm]</b>	<b>[mm]</b>	<b>[mm]</b>	<b>[mm]</b>		
10-32 UNF	0.5 - 3.0	7.0	7.0	7.5	0.5	12.0	HUK030	334 006 000
1/4-20 UNC	0.5 - 3.0	9.0	9.0	9.7	0.5	14.5	HUK030	334 007 000
5/16-18 UNC	0.5 - 3.0	11.0	11.0	11.8	0.5	16.0	HUK030	334 008 000



# Tubtara® blind rivet nuts

## Mechanical loads

The following tables contain reference values for TUBTARA® blind rivet nuts with a round or hexagonal shank and flat head in the first grip range for medium-thick sheets or panels:

### Mechanical reference values - round shank

Item	Material	Pull-out resistance [kN]	Tightening torque max. [Nm]	Torque-out [Nm]	Shear strength [kN]
M3 UPO 20	C8C steel	> 5.8	> 2.0	1.8	1.9
	5052 alum.	> 3.1	1.9	0.8	0.6
	304Cu stainless steel				
M4 UPO 30	C8C steel	> 10.8	> 7.5	2.7	2.6
M4 UPO 30	5052 alum.	> 4.5	4.9	1.4	1.1
M4 UPO 20	304Cu stainless steel	> 11.0	7.1	2.6	3.5
M5 UPO 30	C8C steel	> 12.0	> 10.0	4.7	3.5
	5052 alum.	> 5.2	4.9	1.5	1.6
	304Cu stainless steel	> 14.5	> 16.0	3.0	4.8
M6 UPO 30	C8C steel	> 21.0	> 19.0	7.0	5.0
	5052 alum.	> 10.5	16.0	3.2	2.4
	304Cu stainless steel	> 27.0	> 22.0	6.8	7.3
M8 UPO 30	C8C steel	> 33.0	> 50.0	13.0	6.0
	5052 alum.	> 15.0	33.0	5.3	2.9
	304Cu stainless steel	> 40.0	> 70.0	9.0	9.0
M10 UPO 35	C8C steel	> 40.0	> 70.0	15.0	8.0
	5052 alum.	> 20.0	39.5	7.0	3.7
	304Cu stainless steel	> 43.0	> 70.0	8.0	8.5
M10 SPO 35	C8C steel	> 40.0	> 70.0	15.0	8.0
	5052 alum.				
	304Cu stainless steel	> 43.0	> 70.0	13.0	8.4
M12 UPO 40	C8C steel	> 63.0	> 150.0	32.0	11.5
	5052 alum.				
	304Cu stainless steel	> 70.0	> 130.0	25.0	14.0

Test criteria:

Using a grade 8.8 screw

> : The values range above those specified; the test could not be completed, however, due to screw breakage, or the minimum value is used for reference purposes

Use of grade HRB55 hard sheet metal, the Tubtara® Blind rivet nut was set in medium-thick material using the first grip range.

Shear test: In the majority of cases, the TUBTARA® blind rivet nut was removed from the sheet metal without any shear.

# Tubtara® blind rivet nuts

## Mechanical reference values – hexagonal shank

Item	Material	Pull-out resistance [kN]	Tightening torque max [Nm]	Torque-out [Nm]	Shear strength [kN]
M4 HUPO 20	C8C steel	> 8.8	> 7.5	> 5.5	2.6
	304Cu stainless steel	> 10.8	> 7.1	6.0	3.7
M5 HUPO 30	C8C steel	> 12.0	12.0	> 6.5	3.6
	304Cu stainless steel	> 15.5	15.0	> 9.0	4.8
M6 HUPO 30	C8C steel	23.0	> 24.5	>21.0	5.1
	304Cu stainless steel	24.5	> 23.0	>22.0	7.2
M8 HUPO 30	C8C steel	32.8	> 50.0	> 30.0	6.6
	304Cu stainless steel	39.0	> 64.0	32.0	9.4
M10 HSPO 35	C8C steel	> 40.0	>70.0	50.0	7.9
	304Cu stainless steel	> 43.0	> 70.0	> 50.0	10.2
M12 HUPO 40	C8C steel	> 63.0	> 120.0	68.0	12.5
	304Cu stainless steel	> 70.0	> 130.0	> 70.0	14.6

Test criteria:

Using a grade 8.8 screw

> : The values range above those specified; the test could not be completed, however, due to screw breakage, or the minimum value is used for reference purposes

Use of grade HRB55 hard sheet metal, the Tubtara® Blind rivet nut was set in medium-thick material using the first grip range.

Shear test: In the majority of cases, the TUBTARA® blind rivet nut was removed from the sheet metal without any shear.

# Tubtara® blind rivet nuts

## Geometric reference values (open-ended shank) - round shank

Item	Material	Setting force [kN]	Stroke [mm]	Bulb Ø [mm]	Length below workpiece [mm]
M3 UPO 20	C8C steel	4.0	2.6	6.6 to 6.7	5.9 to 6.1
	5052 alum.	2.3	1.9	6.0 to 6.1	6.4 to 6.6
	304Cu stainless steel				
M4 UPO 30	C8C steel	4.5	2.8	7.8 to 7.9	6.7 to 6.8
M4 UPO 30	5052 alum.	2.2	2.7	7.7 to 7.8	6.8 to 7.0
M4 UPO 20	304Cu stainless steel	6.0	2.4	7.3 to 7.4	7.6 to 7.8
M5 UPO 30	C8C steel	6.5	3.8	9.4 to 9.5	7.3 to 7.4
	5052 alum.	3.4	3.6	9.3 to 9.4	7.3 to 7.4
	304Cu stainless steel	8.0	3.5	8.9 to 9.2	7.3 to 7.5
M6 UPO 30	C8C steel	9.5	4.0	11.6 to 11.8	9.3 to 9.6
	5052 alum.	4.9	3.3	11.2 to 11.3	10.0 to 10.2
	304Cu stainless steel	13.0	4.0	11.3 to 11.6	9.6 to 10.0
M8 UPO 30	C8C steel	12.0	4.0	13.6 to 13.8	10.9 to 11.2
	5052 alum.	5.5	3.8	13.6 to 13.8	11.1 to 11.3
	304Cu stainless steel	15.4	4.2	13.6 to 13.7	11.3 to 11.6
M10 UPO 35	C8C steel	14.5	4.4	15.7 to 15.8	14.4 to 14.5
	5052 alum.	8.0	4.7	15.6 to 15.9	14.1 to 14.4
	304Cu stainless steel	15.5	4.0	14.8 to 15.0	13.6 to 14.0
M10 SPO 35	C8C steel	15.5	4.5	16.1 to 16.3	15.5 to 15.7
	5052 alum.				
	304Cu stainless steel	23.5	4.6	15.9 to 16.1	16.6 to 16.9
M12 UPO 40	C8C steel	20.5	6.5	20.8 to 21.0	17.5 to 18.0
	5052 alum.				
	304Cu stainless steel	30.0	7.0	20.5 to 21.5	17.0 to 17.5

To maintain the length of the TUBTARA blind rivet nut with closed end under the workpiece, you can add the following dimensions to those stated above:

### Steel & aluminium

Thread	mm
M3	3.5
M4	4.5
M5	6.0
M6	7.0
M8	8.0
M10	10.0
M12	10.0

### Stainless steel

Thread	mm
M4	4.5
M5	6.0
M6	7.0
M8	8.0
M10	10.0
M12	10.0

In some instances, the actual length of the blind rivet nut will be shorter. All dimensions can be found in the technical data sheets contained in our catalogue.

Deviations may occur in practice due to the varying actual conditions. The values shown are reference values. We always recommend that you carry out tests on your own components.

# Tubtara® blind rivet nuts

## Geometric reference values (open-ended shank) - hexagonal shank

Item	Material	Setting force [kN]	Stroke [mm]	Bulb Ø [mm]	Length below sheet [mm]
M4 HUPO 20	C8C steel	5.5	2.8	7.6 to 8.3	6.1 to 6.4
	304Cu stainless steel	5.3	2.5	7.5 to 7.9	7.5 to 7.9
M5 HUPO 30	C8C steel	6.1	4.0	9.8 to 10.4	7.8 to 8.2
	304Cu stainless steel	7.2	3.3	9.1 to 9.5	7.1 to 7.3
M6 HUPO 30	C8C steel	11.5	3.6	11.4 to 12.5	9.7 to 10.1
	304Cu stainless steel	10.0	4.3	11.9 to 12.3	9.0 to 9.3
M8 HUPO 30	C8C steel	14.0	4.6	14.3 to 15.4	10.7 to 11.1
	304Cu stainless steel	14.0	4.5	14.0 to 14.5	10.7 to 11.1
M10 HSP0 35	C8C steel	13.0	5.5	17.5 to 18.6	14.4 to 14.7
	304Cu stainless steel	19.0	6.0	17.0 to 17.6	16.0 to 16.7
M12 HUPO 40	C8C steel	21.0	6.6	20.7 to 21.6	15.0 to 16.1
	304Cu stainless steel	25.0	7.0	21.0 to 22.0	17.0 to 17.5

To maintain the length of the TUBTARA blind rivet nut with closed end under the workpiece, you can add the following dimensions to those stated above:

### Steel & aluminium

Thread	mm
M3	3.5
M4	4.5
M5	6.0
M6	7.0
M8	8.0
M10	10.0
M12	10.0

### Stainless steel

Thread	mm
M4	4.5
M5	6.0
M6	7.0
M8	8.0
M10	10.0
M12	10.0

In some instances, the actual length of the blind rivet nut will be shorter. All dimensions can be found in the technical data sheets contained in our catalogue.

Deviations may occur in practice due to the varying actual conditions. The values shown are reference values. We always recommend that you carry out tests on your own components.

# Tubtara® blind rivet nuts

## Mechanical loads for grip range

Item	Clamping thickness	Aluminium			Steel			304Cu + 316Cu stainless steel		
		Setting force [N]	Stroke [mm]	Pull-out resistance [N]	Setting force [N]	Stroke [mm]	Pull-out resistance [N]	Setting force [N]	Stroke [mm]	Pull-out resistance [N]
M3 UPO 20	1.0	2000	2.0	3750	4000	2.5	> 5000			
	2.0	2600	1.5	3280	4750	2.0	> 5000			
M3 UPO 30	2.0	1850	1.5	3900	3700	2.5	> 5000			
	3.0	2050	1.0	3968	4750	2.0	> 5000			
M4 UPO 20	1.0							4900	2.0	> 9000
	2.0							5500	1.5	> 9000
M4 UPO 30	1.0	2100	3.0	5170	4300	2.5	> 8000			
	3.0	2430	1.0	4330	5650	1.5	> 8000			
M4 UPO 35	2.0							5500	2.6	> 9000
	3.5							6000	1.7	> 9000
M4 UPO 45	3.0	2050	2.8	4838	4200	2.5	> 8000			
	4.5	2875	1.5	4421	5000	1.5	> 8000			
M5 UPO 30	1.0	3050	3.5	5500	6150	3.5	12240	7500	3.0	> 15000
	3.0	3650	2.0	5000	7200	2.5	9600	8500	1.7	> 15000
M5 UPO 50	3.0							7500	4.0	> 15000
	5.0							8500	2.0	> 15000
M5 UPO 55	3.0	3000	3.5	6450	5750	4.0	11800			
	5.5	4300	1.5	5525	9650	2.0	10300			
M6 UPO 30	1.0	4500	3.0	11000	9400	2.0	21200	11850	4.0	> 24000
	3.0	5750	2.0	10000	12000	3.0	18500	14460	3.0	> 24000
M6 UPO 50	3.0							13500	4.5	> 24000
	5.0							15000	2.8	> 24000
M6 UPO 55	3.0	4500	3.5	11000	9000	3.5	22700			
	5.5	6100	1.8	10000	11000	2.0	19700			
M6 UPO 80	5.5	4950	4.7	9160	8700	4.0	19900			
	8.0	5400	2.0	8200	11750	2.5	17200			
M8 UPO 30	1.0	5000	3.0	14900	11500	4.0	30400	14500	4.2	> 41000
	3.0	6600	2.0	14000	13750	2.5	26100	18000	2.8	> 41000
M8 UPO 55	3.0	5400	4.0	15500	11500	4.0	32500	14500	5.5	> 41000
	5.5	7400	2.0	11200	15500	2.5	31900	18500	3.0	> 41000
M8 UPO 80	5.5	5900	4.0	16100	10700	4.0	32400			
	8.0	7850	2.0	13600	14700	2.5	26500			

The above-mentioned values can be used as guidance for other versions or designs.

Continued on next page

Swaging load setting: Force (in Newton) that is needed in order to suitably deform the Tubtara blind rivet nut.

Stroke setting: Stroke (in mm) that should be set on the setting tool in order to deform the Tubtara blind rivet nut.

Pull-out resistance or maximum thread strength: When this strength at break (in Newton) is exceeded, the thread is pulled out.

The values stated are guidelines. We recommend that you carry out your own tests on the original component.

Blind rivet nuts with semi-hexagonal shank require 10-15% less setting force than full-hexagonal or round shank blind rivet nuts but absorb the same force.

# Tubtara® blind rivet nuts

Continued from Page 525

Item	Clamping thickness	Aluminium			Steel			304Cu + 316Cu stainless steel		
		Setting force [N]	Stroke [mm]	Pull-out resistance [N]	Setting force [N]	Stroke [mm]	Pull-out resistance [N]	Setting force [N]	Stroke [mm]	Pull-out resistance [N]
M10 UPO 30	1.0							14500	3.5	> 45000
	3.0							18500	2.5	> 45000
M10 UPO 35	1.0	6750	4.0	22100	13600	4.5	39600			
	3.5	9000	2.5	17700	17000	2.5	32400			
M10 UPO 50	3.0							14500	3.5	> 39500
	5.0							18500	2.5	> 37000
M10 UPO 60	3.5	9000	5.0	25250	14900	4.0	42300			
	6.0	13000	3.0	23000	17900	2.5	31700			
M10 SPO 35	1.0				13500	4.5	40500	19500	4.5	> 45000
	3.5				16100	2.5	36100	26500	3.5	> 45000
M10 SPO 60	3.5				15900	5.5	48000	21000	5.5	> 45000
	6.0				20400	3.0	37500	25000	3.5	> 45000
M12 UPO 40	1.0				19500	5.5	> 50000	26000	8.0	> 75000
	4.0				25000	4.0	> 50000	34000	5.0	> 70000
M12 UPO 70	4.0				19500	5.5	> 50000	28000	8.0	> 75000
	7.0				25000	4.0	> 50000	37000	5.0	> 70000

The above-mentioned values can be used as guidance for other versions or designs.

Swaging load setting: Force (in Newton) that is needed in order to suitably deform the Tubtara blind rivet nut.

Stroke setting: Stroke (in mm) that should be set on the setting tool in order to deform the Tubtara blind rivet nut.

Pull-out resistance or maximum thread strength: When this strength at break (in Newton) is exceeded, the thread is pulled out.

The values stated are guidelines. We recommend that you carry out your own tests on the original component.

Blind rivet nuts with semi-hexagonal shank require 10-15% less setting force than full-hexagonal or round shank blind rivet nuts but absorb the same force.

**Copyright**

All texts, images, technical documents and other information contained in this catalogue are subject to copyright held by Titgemeyer GmbH & Co. KG. Any reproduction or disclosure, whether as a copy or other form of duplication or use, is expressly prohibited without the prior consent of Titgemeyer GmbH & Co. KG.

**Registered trademarks**

The trademarks BÖRTI, GETO, GETO therm, GETOVAN, GTO, LockBolt, MEGA PORT, plasti van, PLYFIX, POLYSTIC, press-ti, RIEKO, RIV-TI, ROLL-TO, TIBOLT, TIBULB, TIFAS, TILA, TIOS and Titgemeyer are registered trademarks and the intellectual property of Titgemeyer GmbH & Co. KG.

**Term of Delivery and Payment**

All deliveries are carried out in compliance with our Terms of Delivery and Payment.

**Limitation of liability**

All technical data, performance descriptions, drawings, illustrations, measurements, weights or any other performance data, recommendations and guidelines contained in this catalogue and relating to the installation of parts that we supply are only binding if so expressly agreed. Moreover, the user is obliged at all times to check each individual use and decide whether the components that we supply can be used as needed.

We accept liability in the case of wilful intent, gross negligence and infringement of cardinal contractual duties as well as for errors in respect of express or implied representations. Notwithstanding this, any claims for compensation not explicitly agreed to in these terms and conditions are hereby excluded in the case of customers who are not consumers and, in the case of such customers, who are not consumers, at all events limited to the damage foreseeable at the time of concluding the contract as well as to the value of the delivered consignment. To the extent that our liability is excluded or limited, this shall extend accordingly to the personal liability of employees, legal representatives and vicarious agents. In all instances of gross negligence committed by vicarious agents, we shall solely be liable to customers, who are not consumers, to compensate for typically foreseeable damage. The statutory regulation governing the burden of proof shall remain unaffected. The aforementioned limitation of liability shall not apply to claims resulting from product liability, for damage resulting from injury to life, limb or health, or for damage to privately used property.

## About us

The Titgemeyer Group is a leading company for fastening technology and vehicle components at 15 locations in Europe.

The traditional company develops, manufactures and sells more than 30,000 fastening elements, tools and vehicle components – in series production and on request.

### Headquarters

**Titgemeyer GmbH & Co. KG**  
Hannoversche Straße 97  
49084 Osnabrück / DE

PO Box 4320  
49033 Osnabrück / DE

T +49 541 5822-0  
E [info@titgemeyer.com](mailto:info@titgemeyer.com)  
W [titgemeyer.com](http://titgemeyer.com)



### Sales locations

**Titgemeyer Austria GmbH**  
Brunner Straße 77 - 79  
1230 Wien / AT

T +43 (0) 1/6 67 90 40 - 0  
E [sales@titgemeyer.com](mailto:sales@titgemeyer.com)  
W [titgemeyer.at](http://titgemeyer.at)

**Titgemeyer CZ spol. s r. o.**  
U Vodárny 1506  
397 01 Písek / CZ

T +420 382 2067 - 25  
E [sales@titgemeyer.com](mailto:sales@titgemeyer.com)  
W [titgemeyercz.cz](http://titgemeyercz.cz)

**Titgemeyer Polska sp. z o.o.**  
Cypriana Bazylika 17  
98-200 Sieradz / PL

T +48 (0) 43 828 20 - 15  
E [sales@titgemeyer.com](mailto:sales@titgemeyer.com)  
W [titgemeyer.pl](http://titgemeyer.pl)

**Titgemeyer Skandinavien A/S**  
Lunikvej 32  
2670 Greve / DK

T +45 4360 0966  
E [info@titgemeyer.dk](mailto:info@titgemeyer.dk)  
W [titgemeyer.dk](http://titgemeyer.dk)

**Titgemeyer Skandinavien A/S**  
Box 3218  
550 03 Jönköping / SE

T +46 36 128350  
E [info@titgemeyer.se](mailto:info@titgemeyer.se)  
W [titgemeyer.se](http://titgemeyer.se)

**Titgemeyer Skandinavien A/S**  
Korkeakoulunkatu 7  
33720 Tampere / FI

T +358 (0) 400 448 401  
E [info@titgemeyer.fi](mailto:info@titgemeyer.fi)  
W [titgemeyer.fi](http://titgemeyer.fi)

**Titgemeyer Turkey Baglanti Teknolojileri San. ve Tic. A.S.**  
Barbaros Mah. Is Merkezi No.1  
Kat: 8 D.58  
34746 Atasehir, Istanbul / TUR

T +90 (0) 21 66 88 20 - 27  
E [sales@titgemeyer.com.tr](mailto:sales@titgemeyer.com.tr)  
W [titgemeyer.com.tr](http://titgemeyer.com.tr)

**Titgemeyer (UK) Limited**  
A2 Link One Industrial Park  
George Henry Road  
DY4 7BU Tipton / UK

T +44 (0) 1 21 5 57 97 - 77  
E [sales@titgemeyer.co.uk](mailto:sales@titgemeyer.co.uk)  
W [titgemeyer.co.uk](http://titgemeyer.co.uk)

### Production sites

**Cirteq Limited**  
'Hayfield' Colne Road,  
Glusburn, Keighley,  
West Yorkshire, BD20 8QP

T +44 1535 633333  
E [sales@cirteq.com](mailto:sales@cirteq.com)  
W [cirteq.com](http://cirteq.com)

**Titgemeyer Tools & Automation spol s.r.o.**  
U Vodárny 1506  
397 01 Písek / CZ

T +42 382 2067 - 11  
E [info@rivetec.cz](mailto:info@rivetec.cz)  
W [rivetec.cz](http://rivetec.cz)

**RIEKO GmbH**  
Robert-Bosch-Straße 9  
72124 Pliezhausen / DE

T +49 7127 9744 - 0  
E [info@rieko-web.com](mailto:info@rieko-web.com)  
W [rieko-web.com](http://rieko-web.com)

**Titgemeyer GmbH & Co. KG Werk Lotte**  
Daimlerstraße 13 - 15  
49504 Lotte / DE

T +49 5404 9666 - 0  
E [info@titgemeyer.com](mailto:info@titgemeyer.com)  
W [titgemeyer.com](http://titgemeyer.com)

**TS Gesellschaft für Transport- und Sicherungssysteme mbH**  
Haßlinghauser Straße 156  
58285 Gevelsberg / DE

T +49 541 5822 - 900  
E [ts@cargocontrol.de](mailto:ts@cargocontrol.de)  
W [wir-sind-ladungssicherung.de](http://wir-sind-ladungssicherung.de)